

We have pleasure in presenting the Spare Parts Catalogue for 'CT100' Motorcycle. This catalogue has been specially designed to assist you in selecting the correct parts for procurement to maintain 100% availability.

The Bajaj spares are subjected to the stringent quality control standards to ensure longer life of the vehicle. It is therefore necessary that only the Genuine Bajaj Spares are used.

In a continual effort to improve Performance and Efficiency of the vehicles, Specifications, Diagrams, Illustrations and Part Numbers can change without notice. Consequently, the description in this Spare Parts Catalogue cannot therefore be final and binding on us.

The modifications / alterations which are carried out after the issue of this catalogue, will be conveyed to you through our Service Circulars. You are requested to make necessary corrections in the Parts Catalogue as per the circulars so as to keep your catalogue up-to-date. This will ensure the appropriate and speedy delivery of the Spare Parts as the order placed will bear the latest part numbers.

In case, if you need any technical assistance contact the concerned Regional Team or write to us on the following address :

Bajaj Auto Limited
International Marketing
Akurdi, Pune 411 035 India
Phone : 020-27472851
Fax : 020-27407395
e-mail : exports@bajajauto.co.in

All information contained in this manual is based on the latest product information at the time of publication. Bajaj Auto Limited accepts no liability for any inaccuracies or omissions in this publication, although every possible care has been taken to make it as complete and accurate as possible. All procedures and specifications subject to change without prior notice. The right is reserved to make such changes at any time without prior notice and without incurring an obligation to make such changes to product manufactured previously. Contact your authorized Bajaj Dealer for the latest information on product improvements incorporated after this manual was issued.

DOC. NO.: 71110596

REV. 02, NOV. 09

Instructions for using the Catalogue



1. How to Read the Catalogue : Open the catalogue and from the pictorial index locate the group in which the part you want to find is present. Turn over to the concerned page number (as given by pictorial index). Now find out the figure of the part you wish to order. Write down the part number against that particular figure number from the text.

In case, if you have the part number and you need the other details, the part index can be used. The part index (at the end of the catalogue) will give you the figure and page number of the part you wish to order.

2. How to Order Spare Parts : The part number and the description of the part required should be invariably mentioned in the order as per the catalogue text.

The latest part number as conveyed through our service circulars should only appear on the order. In case of ordering painted components, colour shade of the components should be mentioned.

The quantity shown against the part number is the quantity per vehicle for that group so that particular quantity should be multiplied by the number of sets required.

3. Part Number System: We have used 8 digit system for part numbers. The model or hardware item is indicated by first two digits or alphanumeric, the next two or four digits indicate main group and the last four or two digits indicate serial number in main group or serial number or subgroup of fastener respectively. Thus the part numbers will be indicated by 2-2-4 or 2-4-2 digit system. Understanding this system will enable you to identify the spare parts easily.

4. Abbreviations : The following abbreviations are used in this catalogue.

assly.	Assembly	V	Volts
N.I.	Not illustrated	W	Watts
C'case	Crankcase	accl.	Accelerator
Cyl	Cylinder	Comp.	Complete
o/s.	Over size	Fr	Front
Std.	Standard	L	Length
A/t.	Alternate	Rr	Rear
R.H.	Right hand	Hex.	Hexagonal
L.H.	Left hand	AR	As required

Index



No.	Description	Page No.
1	Cylinder head	1
2	Valve	2
3	Camshaft & Tensioner	3
4	Cylinder & piston	4
5	Crank shaft	5
6	Transmission	6 & 7
7	Change drum / Shift fork	8
8	Gear change mechanism	9
9	Crankcase RH / Engine assly.	10
10	Crankcase LH	11
11	Pipe oil	12
12	Cover Generator & Cover Chain	13
13	Clutch Cover	14
14	Clutch	15
15	Kick starter Mechanism	16
16	Carburettor	17
17	Air Filter Assly. & Battery Box	18
18	Muffler	19
19	Oil pump	20
20	Magneto assly	21
21	Frame	22&23
22	Swing arm / Rear shock absorber	24&25
23	Stand, Step & Stay LH / RH	26
24	Fender (Front & Rear)	27
25	Wheel Rim/Spokes/Tyre/Tube	28
26	Front Hub	29&30
27	Rear Hub	31&32
28	Brake pedal	33
29	Handle bar	34to36
30	Front Fork	37&38
31	Painted Parts (For CT100 RHL)	39&40
32	Painted Parts (For CT100 THL)	41to45
33	Fuel Tank Cap, Tap Assly. & Fuel Gauge	46&47
34	Chain case	48

No.	Description	Page No.
35	Fittings-Petrol tank & Side cover	49
36	Meter assly	50
37	Control Cables	51
38	Head Lamp Assly. (For CT100 RHL)	52&53
39	Head Lamp Assly./Fairing (For CT100 THL)	54&55
40	Turn Signal Lamp	56
41	Front & Rear Number Plate	57
42	Tail Lamp Assly.	58
43	Electrical Equipment	59
44	Tool kit	60
45	Seat Assly.	61
46	Accessories (Leg Guard, Saree Guard & Mirrors)	62
	Kits List	63to66
	Amendment Sheet (Parts Added)	67
	Amendment Sheet (Parts Deleted)	68
	Parts Index	69

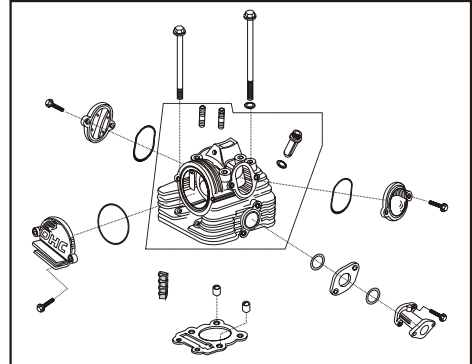
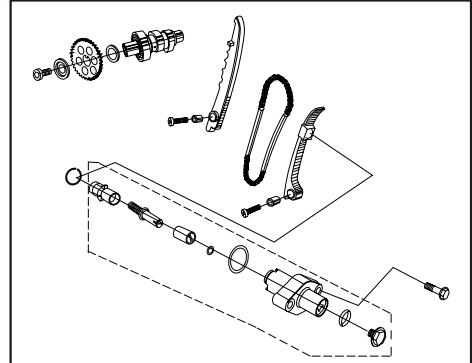
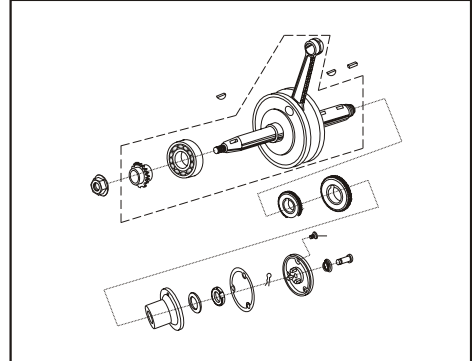
PLATE NO. : 1 CYLINDER HEAD	PAGE NO.: 1
	
PLATE NO. : 3 CAMSHAFT / TENSIONER	PAGE NO.: 3
	
PLATE NO. : 5 CARNKSHAFT	PAGE NO.: 5
	

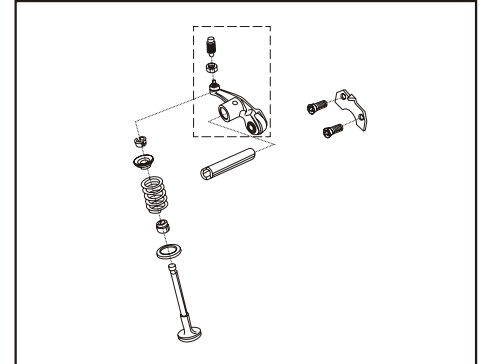
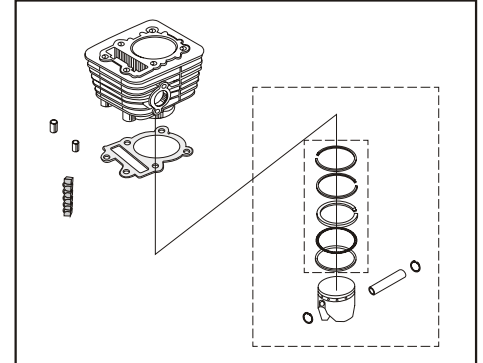
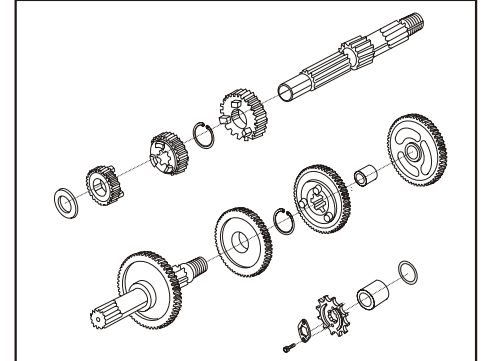
PLATE NO. : 2 VALVE	PAGE NO.: 2
	
PLATE NO. : 4 CYLINDER AND PISTON	PAGE NO.: 4
	
PLATE NO. : 6 TRANSMISSION	PAGE NO.: 6 & 7
	

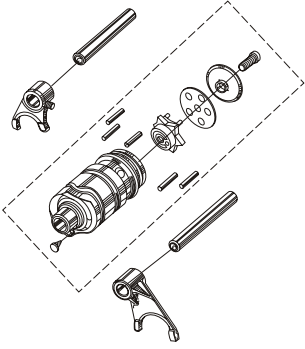
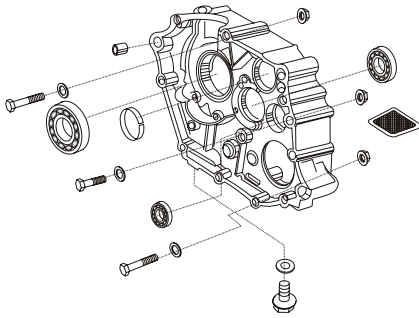
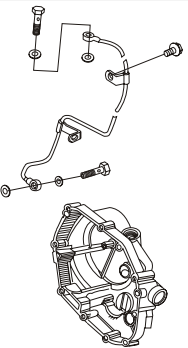
PLATE NO. : 7 CHANGE DRUM / SHIFT FORK	PAGE NO.: 8
	
PLATE NO. : 9 CRANKCASE RH / ENGINE ASSEMBLY	PAGE NO.: 10
	
PLATE NO. : 11 PIPE OIL	PAGE NO.: 12
	

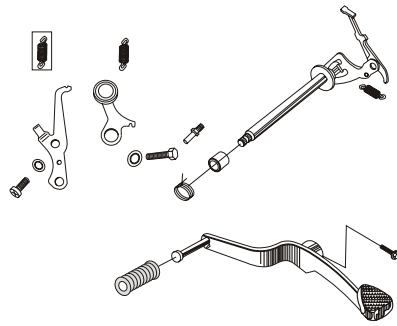
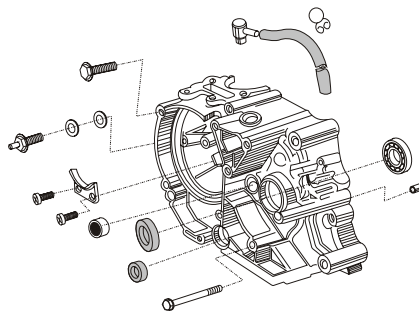
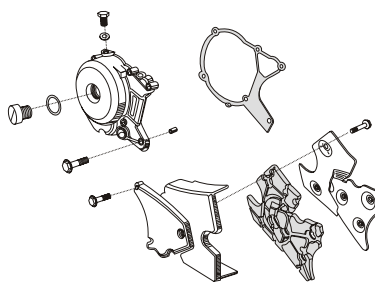
PLATE NO. : 8 GEAR CHANGE MECHANISM	PAGE NO.: 9
	
PLATE NO. : 10 CRANKCASE LH	PAGE NO.: 11
	
PLATE NO. : 12 COVER GENERATOR & COVER CHAIN	PAGE NO.: 13
	

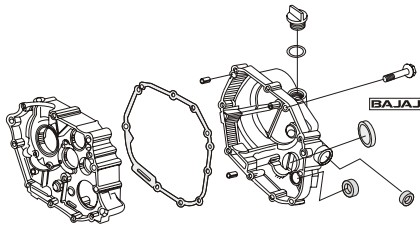
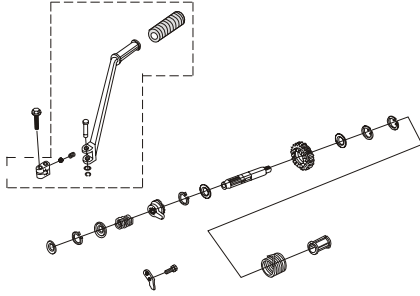
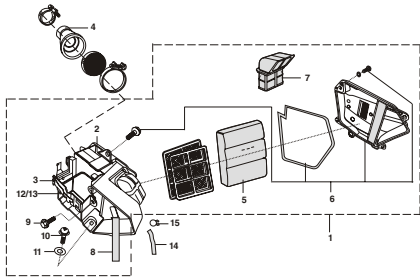
PLATE NO. : 13 CLUTCH COVER	PAGE NO.: 14
	
PLATE NO. : 15 KICK STARTER MECHANISM	PAGE NO.: 16
	
PLATE NO. : 17 AIR FILTER ASSEMBLY & BATTERY BOX	PAGE NO.: 18
	

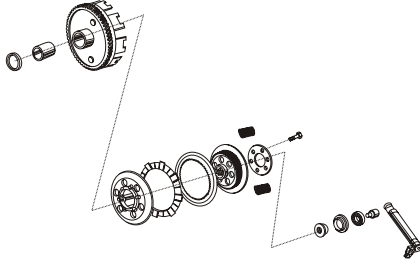
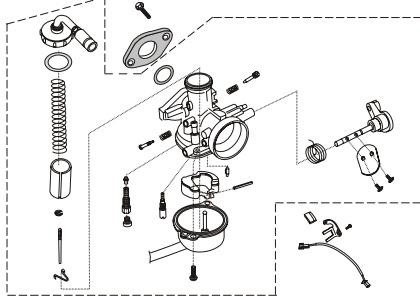
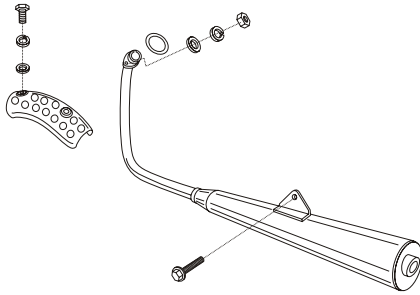
PLATE NO. : 14 CLUTCH	PAGE NO.: 15
	
PLATE NO. : 16 CARBURETTOR	PAGE NO.: 17
	
PLATE NO. : 18 MUFFLER	PAGE NO.: 19
	

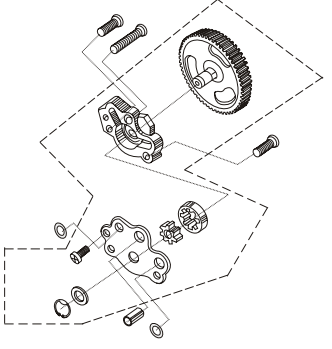
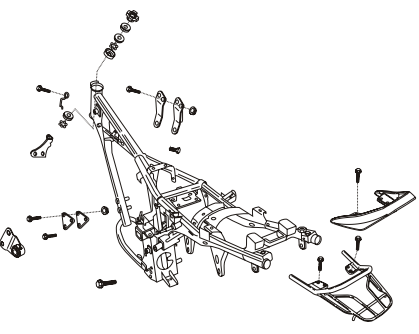
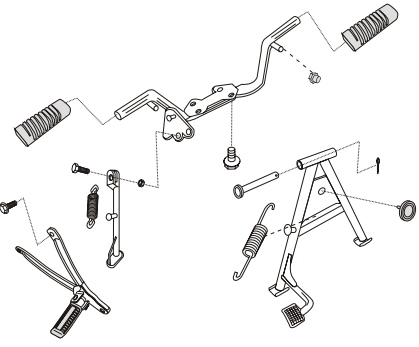
PLATE NO. : 19 OIL PUMP	PAGE NO.: 20
	
PLATE NO. : 21 FAME	PAGE NO.: 22 & 23
	
PLATE NO. : 23 STAND ,STEP AND STAY LH/RH	PAGE NO.: 26
	

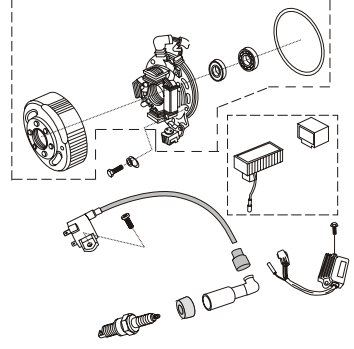
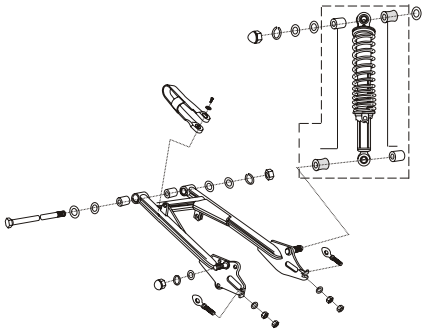
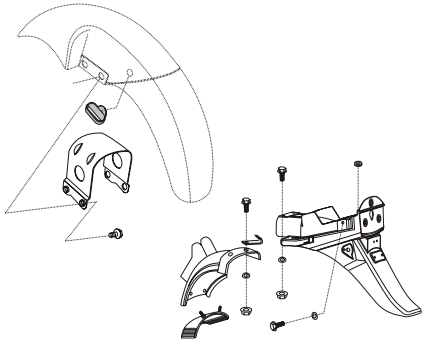
PLATE NO. : 20 MAGNETO ASSEMBLY	PAGE NO.: 21
	
PLATE NO. : 22 SWING ARM / REAR SHOCK ABSORBER	PAGE NO.: 24 & 25
	
PLATE NO. : 24 FENDER - FRONT & REAR	PAGE NO.: 27
	

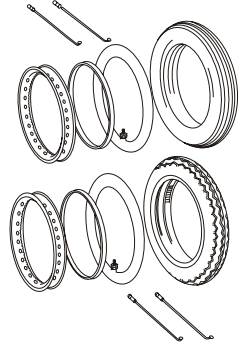
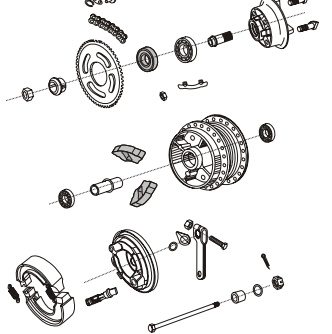
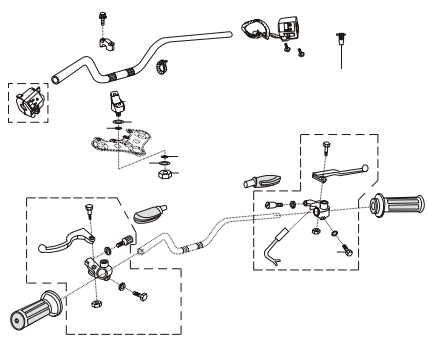
PLATE NO. : 25 WHEEL RIM / SPOKES / TYRE / TUBE	PAGE NO.: 28
	
PLATE NO. : 27 REAR HUB	PAGE NO.: 31 & 32
	
PLATE NO. : 29 HANDLE BAR	PAGE NO.: 34 to 36
	

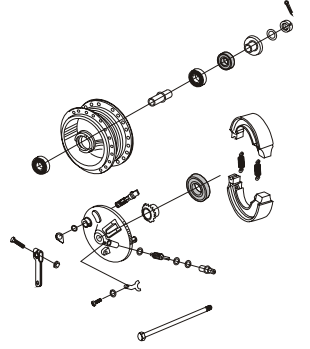
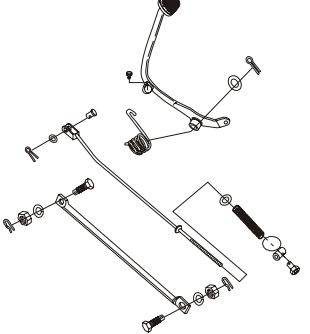
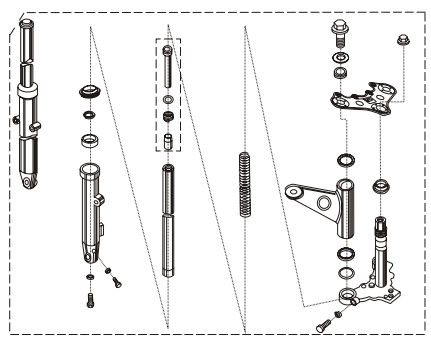
PLATE NO. : 26 FRONT HUB	PAGE NO.: 29 & 30
	
PLATE NO. : 28 BRAKE PADEL	PAGE NO.: 33
	
PLATE NO. : 30 FRONT FORK	PAGE NO.: 37 & 38
	

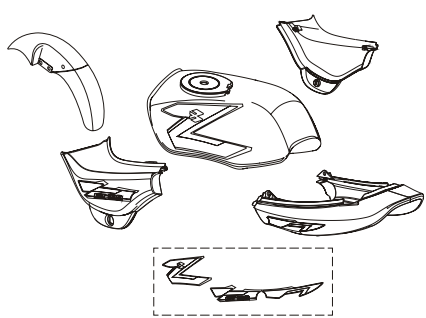
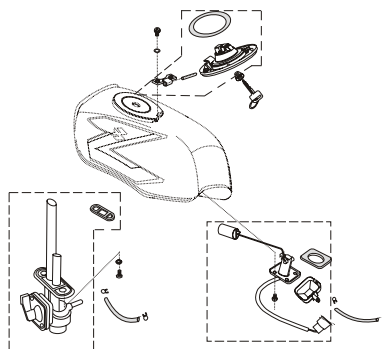
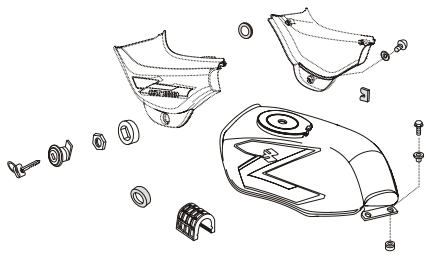
PLATE NO. : 31 PAINTED PARTS (FOR Ct100 RHL)	PAGE NO.: 39 & 40
	
PLATE NO. : 33 FUEL TANK CAP/TAP ASSLY. & FUEL GAUGE	PAGE NO.: 46 & 47
	
PLATE NO. : 35 FITTINGS-PETROL TANK & SIDE COVER	PAGE NO.: 49
	

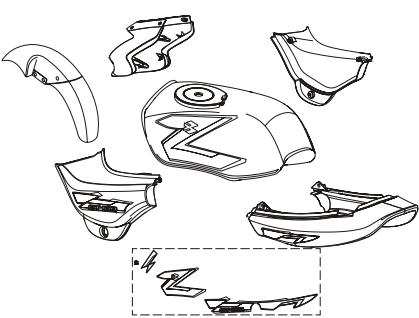
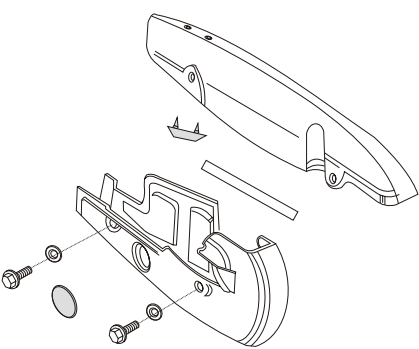
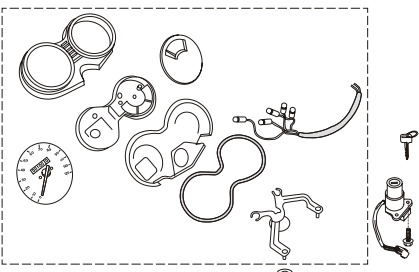
PLATE NO. : 32 PAINTED PARTS (FOR Ct100 THL)	PAGE NO.: 41 to 45
	
PLATE NO. : 34 CHAIN CASE	PAGE NO.: 48
	
PLATE NO. : 36 METER ASSEMBLY	PAGE NO.: 50
	

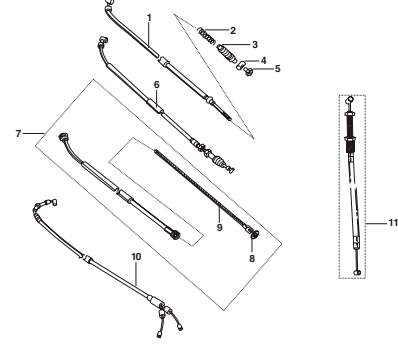
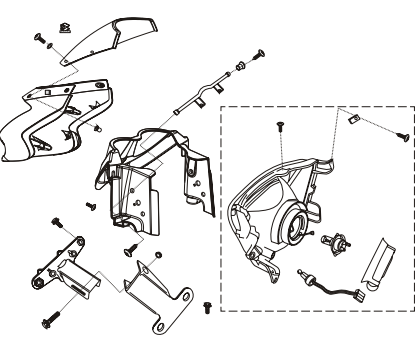
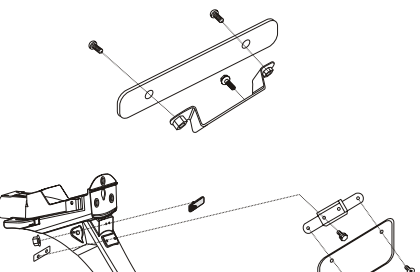
PLATE NO. : 37 CONTROL CABLES	PAGE NO.: 51
	
PLATE NO. : 39 H.L. ASSLY./FAIRING (FOR CT 100THL)	PAGE NO.: 54 & 55
	
PLATE NO. : 41 FRONT AND REAR NUMBER PLATE	PAGE NO.: 57
	

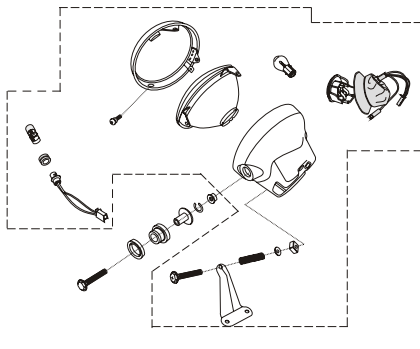
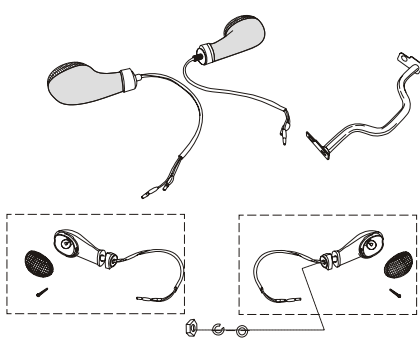
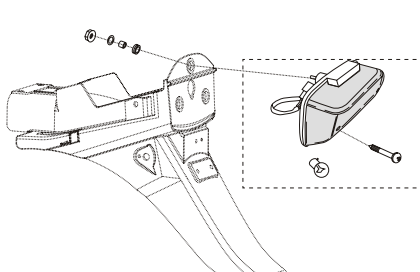
PLATE NO. : 38 HEAD LAMP ASSLY. (FOR CT 100 RHL)	PAGE NO.: 52 & 53
	
PLATE NO. : 40 TURN SIGNAL LAMP	PAGE NO.: 56
	
PLATE NO. : 42 TAIL LAMP ASSEMBLY	PAGE NO.: 58
	

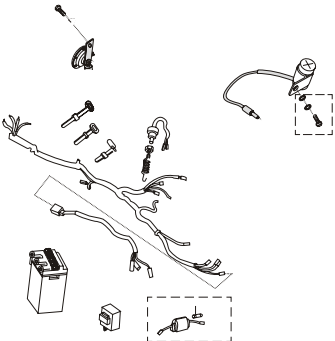
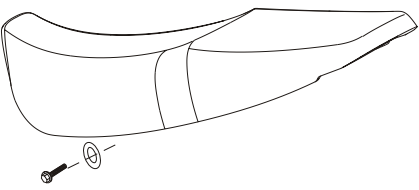
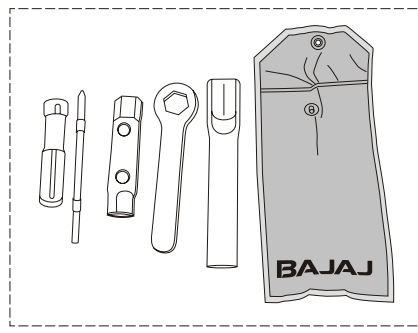
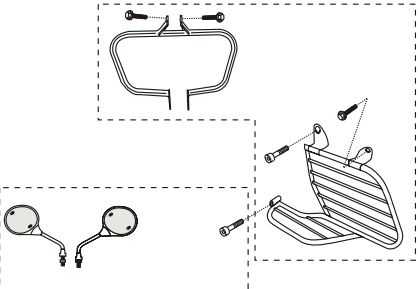
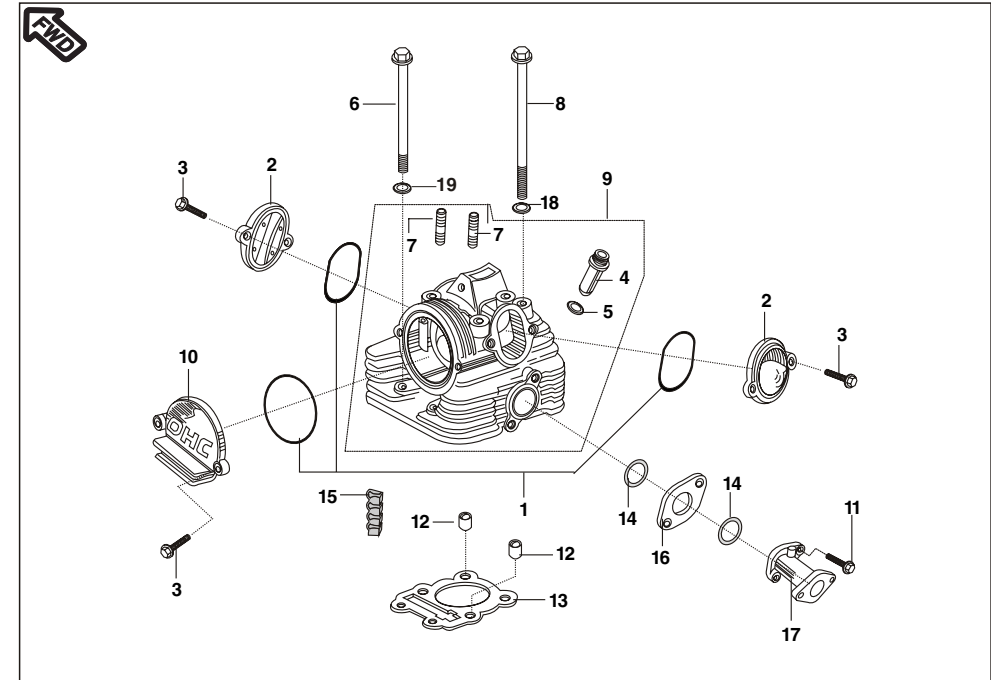
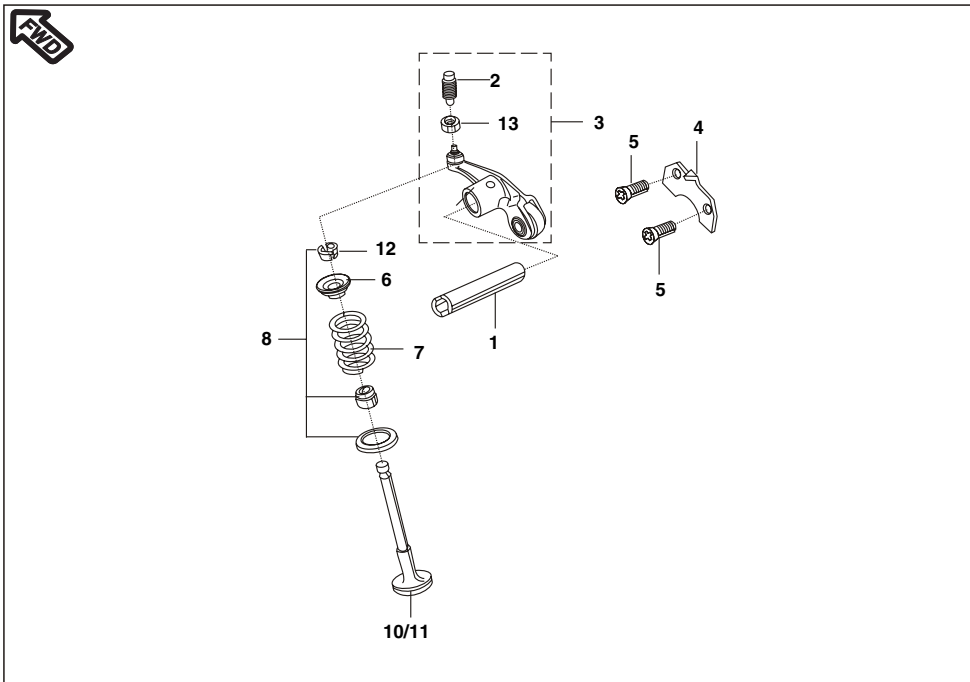
PLATE NO. : 43 ELECTRICAL EQUIPMENT	PAGE NO.: 59
	
PLATE NO. : 45 SEAT ASSEMBLY	PAGE NO.: 61
	

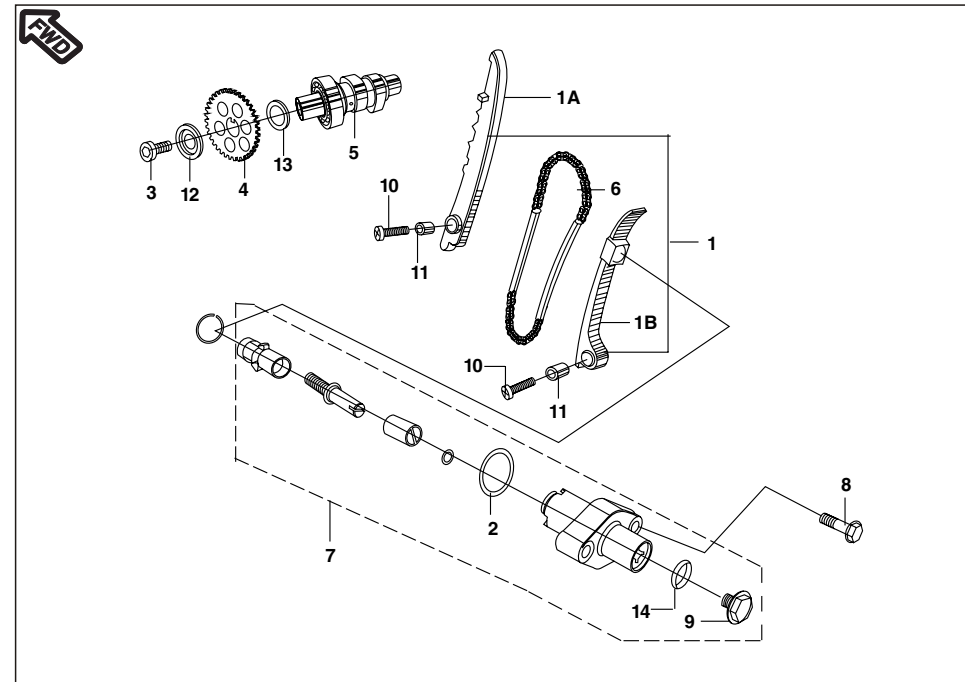
PLATE NO. : 44 TOOL KIT	PAGE NO.: 60
	
PLATE NO. : 46 ACCESSORIES(LEG GARD,S AREE GUARD & MIRRORS)	PAGE NO.: 62
	



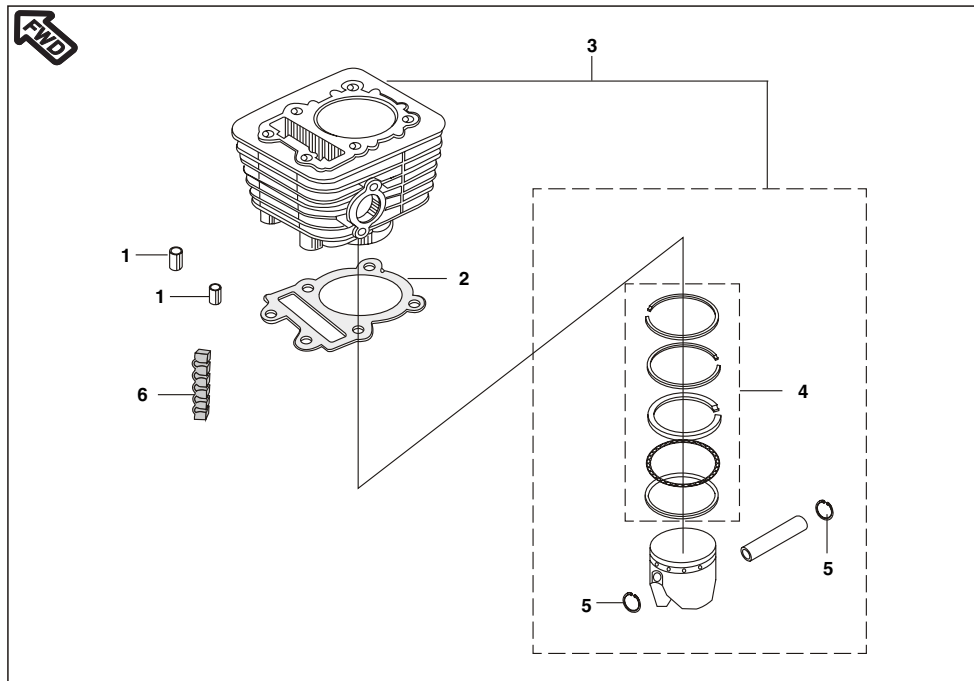
No.	Part No.	Description	Qty/Veh.		Remarks
			Ct100 RHL	CT100 THL	
1	36 DU10 01	O Ring Kit	1	1	Ref. Page No.63
2	31 1010 06	Cap	2	2	
3	39 1673 04	Flanged bolt	6	6	10 MM Rocker shaft. 8 MM Rocker shaft.
4	31 1010 08	Guide Valve	2	2	
5	39 1021 21	O Ring	2	2	
6	DD 1013 47	Bolt	2	2	
7	DD 1013 50	Stud	2	2	
8	DD 1013 49	Bolt	4	4	
9	DU 1010 69	Head Comp. Cylinder	1	1	
	DU 1012 08	Head Comp. Cylinder	1	1	
10	31 1010 07	Cover (OHC)	1	1	
11	DU 1012 28	Bolt	2	2	
12	39 1000 06	Hollow Dowel Pin	2	2	
13	DD 1013 43	Gasket head	1	1	
14	39 1017 21	O Ring	2	2	
15	DD 1014 81	Damper Cylinder Head	4	4	
16	31 1011 75	Insulator (Head Side)	1	1	
17	DU 1010 58	Pipe Intake	1	1	
18	39 1612 11	Plain washer	4	4	
19	59 1100 04	Washer	2	2	



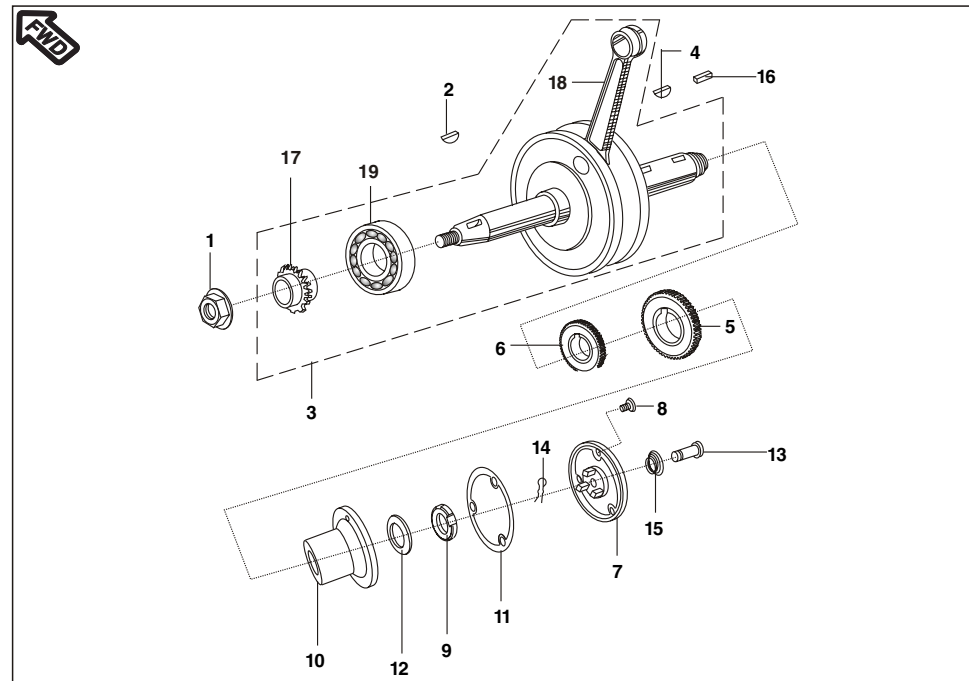
No.	Part No.	Description	Qty/Veh.		Remarks
			CT100 RHL	CT100 THL	
1	DU 1010 65	Shaft Rocker	2	2	10 MM
	DU 1011 91	Shaft Rocker	2	2	8 MM
2	DF 1010 55	Screw	2	2	
3	DU 1010 60	Rocker arm assembly	2	2	
	DU 1011 90	Rocker arm assembly	2	2	With needle bearing
4	31 1011 04	Stopper	1	1	
5	39 0702 01	Screw Pan Cros	2	2	
6	31 1010 18	Retainer Valve Spring	2	2	
7	DD 1014 40	Spring Stiffer	2	2	
8	36 3110 08	Collet Seal Oil Kit	1	1	Ref. Page No.63
9	36 3110 28	Valve Kit	1	1	Ref. Page No.63
10	DD 1011 34	Intake valve	1	1	
11	DD 1011 35	Exhaust valve	1	1	
12	31 1010 19	Collet	4	4	
13	39 0973 15	Nut	1	1	



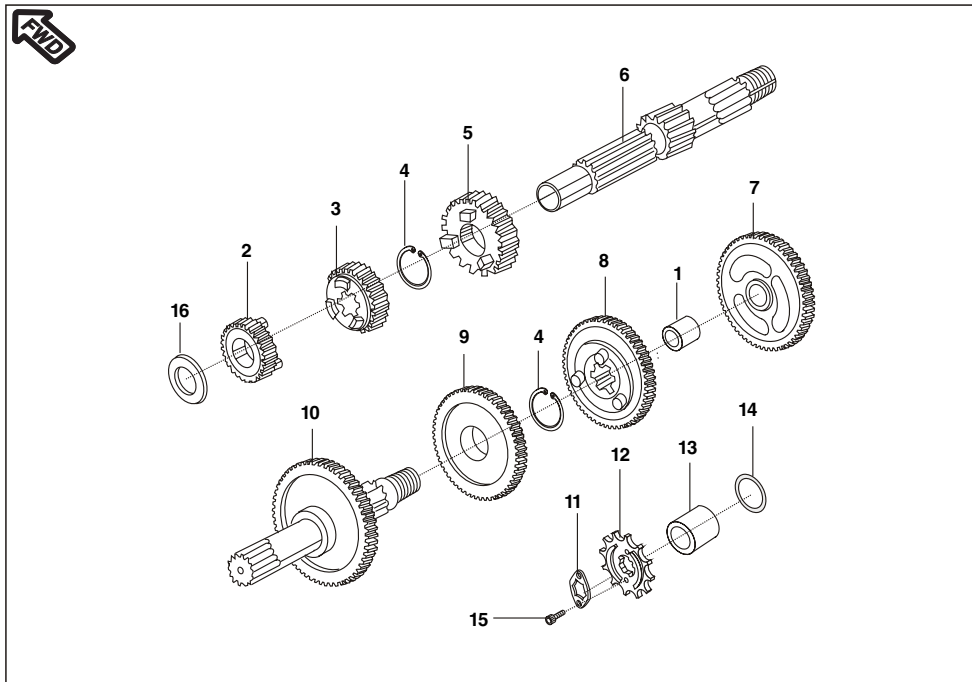
No.	Part No.	Description	Qty/Veh.		Remarks
			CT100 RHL	CT100 THL	
1	36 3110 06	Chain Guide Kit	1	1	Ref. Page No. 63
2	39 2040 21	O Ring	1	1	
3	DU 1012 25	Hex. Soc.HD Screw	1	1	
4	DU 1010 56	Sprocket (28 T)	1	1	
5	DX 1010 75	Camshaft assly.	1	1	
6	31 1010 33	Chain	1	1	
7	DD 1014 07	Tensioner Assly./O ring	1	1	Advik make
8	LA D000 26	Bolt Flanged Small	2	2	
9	DD 1010 62	Bolt	1	1	
10	39 0748 01	Screw Pan Cross	2	2	
11	39 0999 06	Hollow Dowel Pin	2	2	
12	DU 1010 66	Washer Spl. Cam Shaft	1	1	
13	DU 1010 67	Collar Cam	1	1	
14	39 1790 21	O Ring	1	1	



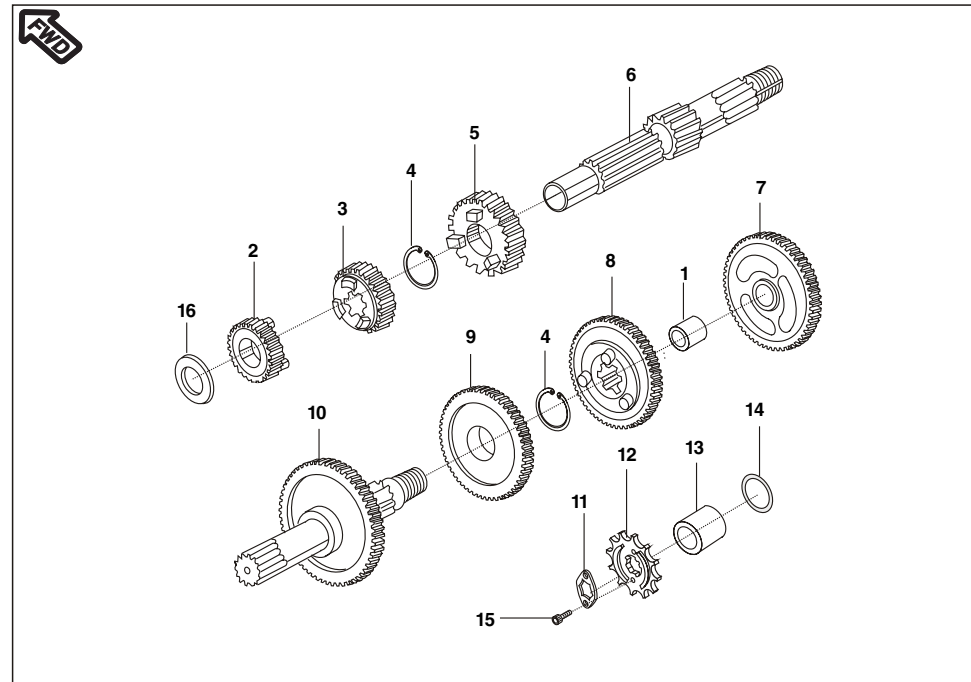
No.	Part No.	Description	Qty/Veh.		Remarks
			CT100 RHL	CT100 THL	
1	39 1000 06	Hollow dowel Pin	2	2	
2	DD 1010 07	Gasket - Cyl. Block	1	1	
3	DU 1012 18	Cylinder Block Piston assly	1	1	
4	DD 1010 14	Piston ring set std.	1	1	For DU101094
	36 DD40 01	Piston ring set std.	1	1	For DU101218
5	39 0985 17	Wire Clip	2	2	
6	DH 1014 30	Damper	3	3	



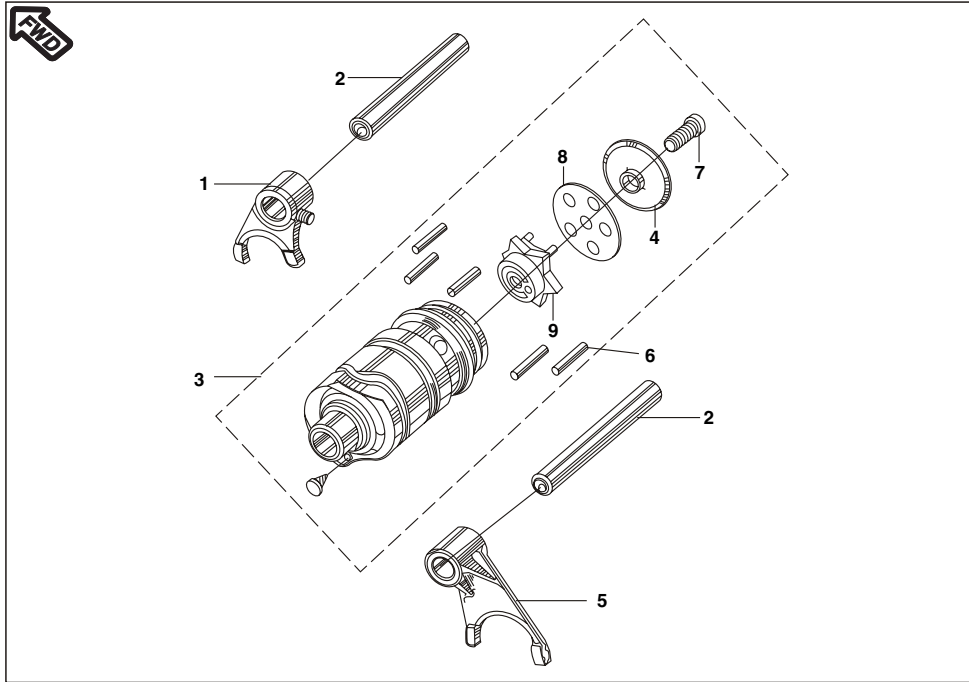
No.	Part No.	Description	Qty/Veh.		Remarks
			CT100 RHL	CT100 THL	
1	39 1055 15	Nut	1	1	
2	01 1006 10	Woodruff Key	1	1	
3	DU 1010 05	Crankshaft Assly.	1	1	
4	31 1011 73	Key Woodruff	2	2	
5	31 1010 76	Gear Primary, Helical (23 T)	1	1	Upto Nov. 05
	DX 1010 47	Gear Primary, Helical (23 T)	1	1	w.e.f. Dec. 05
6	FA 1013 34	Gear	1	1	
7	DU 1010 41	Cover	1	1	
8	39 1699 01	Countersunk Screw	3	3	
9	DH 1011 95	Nut	1	1	
10	DU 1011 03	Body Centrifugal Oil Filter (C.I.)	1	1	Upto Nov. 05
	DX 1010 53	Body Centrifugal Oil Filter (C.I.)	1	1	w.e.f. Dec. 05
11	DU 1010 10	Gasket Central Oil Filter	1	1	
12	39 2200 11	Washer	1	1	
13	DH 1010 66	Joint Oil Delivery	1	1	
14	39 2199 08	Pin Snap	1	1	
15	DH 1010 67	Spring Oil Delivery	1	1	
16	28 1011 07	Key Woodruff	1	1	
17	36 3110 06	Sprocket Crankshaft LH	1	1	
18	36 DU40 26	Rod Connecting	1	1	
19	39 1864 20	Bearing ball	1	1	
20	DD 1013 19	Crank pin	1	1	N.I.



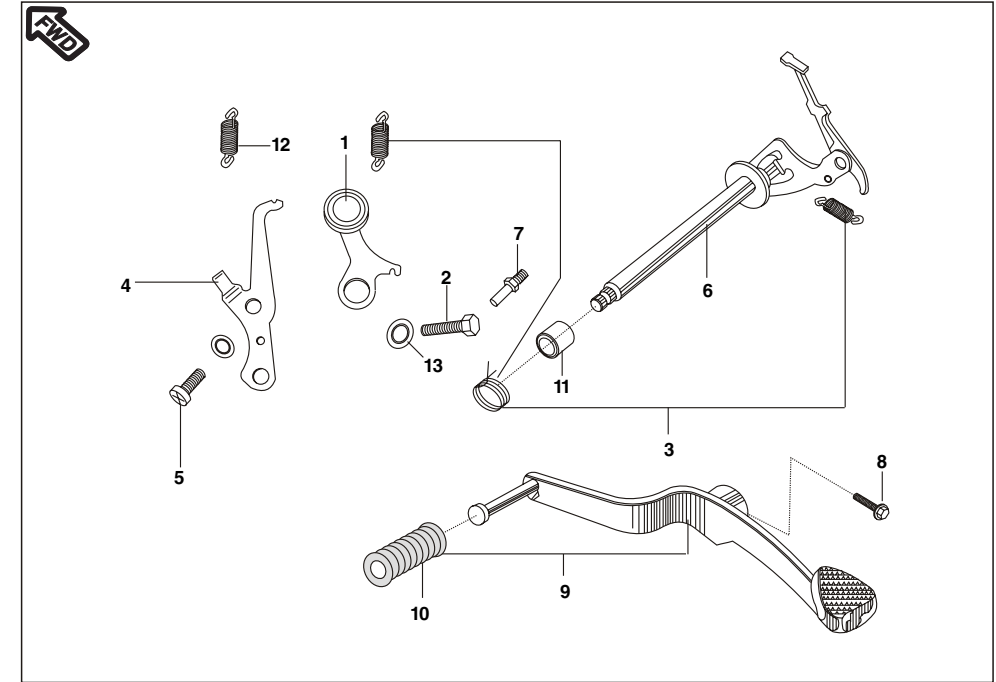
No.	Part No.	Description	Qty/Veh.		Remarks
			CT100 RHL	CT100 THL	
1	DD 1013 09	Bushing Floating	1	1	
2	DU 1010 97	Gear 2nd Input	1	1	Upto Nov. 05
	DX 1010 45	Gear 2nd Input	1	1	w.e.f. Dec. 05
3	DU 1010 53	Gear Transmission Spur(3rd)	1	1	Upto Nov. 05
	DX 1010 48	Gear Transmission Spur(3rd)	1	1	w.e.f. Dec. 05
4	39 0987 17	Ring Snap (16 mm)	2	2	
5	DU 1010 36	Gear 4th Input	1	1	Upto Nov. 05
	DX 1010 49	Gear 4th Input	1	1	w.e.f. Dec. 05
6	DU 1010 11	Shaft Transmission Input	1	1	
7	DU 1010 80	Gear 1st Output	1	1	
8	DU 1010 37	Gear 4th Output	1	1	Upto Nov. 05
	DX 1010 51	Gear 4th Output	1	1	w.e.f. Dec. 05
9	31 1010 83	Gear Transmission Spur(3rd)	1	1	Upto Nov. 05
	DX 1010 50	Gear Transmission Spur(3rd)	1	1	w.e.f. Dec. 05
10	DU 1012 14	Shaft Transmission Output	1	1	w.e.f. Nov. 05
	DX 1010 46	Shaft Transmission Output	1	1	w.e.f. Dec. 05



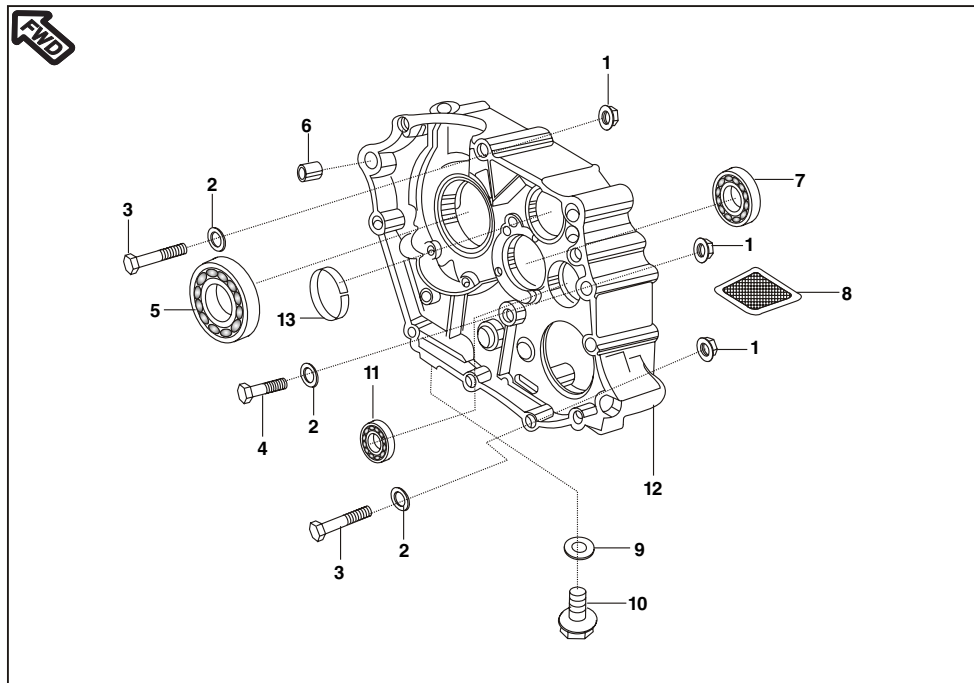
No.	Part No.	Description	Qty/Veh.		Remarks
			CT100 RHL	CT100 THL	
11	DU 1012 13	Plate For Sprocket Output	1	1	w.e.f. July 05
12	DM 1011 14	Sprocket Output	1	1	Upto Aug. 05
	DU 1012 12	Sprocket Output	1	1	Between Sep. 05 till Dec. 05
13	DX 1010 52	Sprocket Output	1	1	w.e.f. Jan. 06
	DP 1011 55	Collar (Sintered)	1	1	w.e.f. Aug. 05
14	31 1012 16	Collar (Sintered)	1	1	Upto July 05
	DP 1011 68	'O' Ring	1	1	w.e.f. Aug. 05
15	39 1018 21	'O' Ring	1	1	Upto July 05
	39 1981 04	Bolt	2	2	
16	DD 1014 75	Washer Special	1	1	



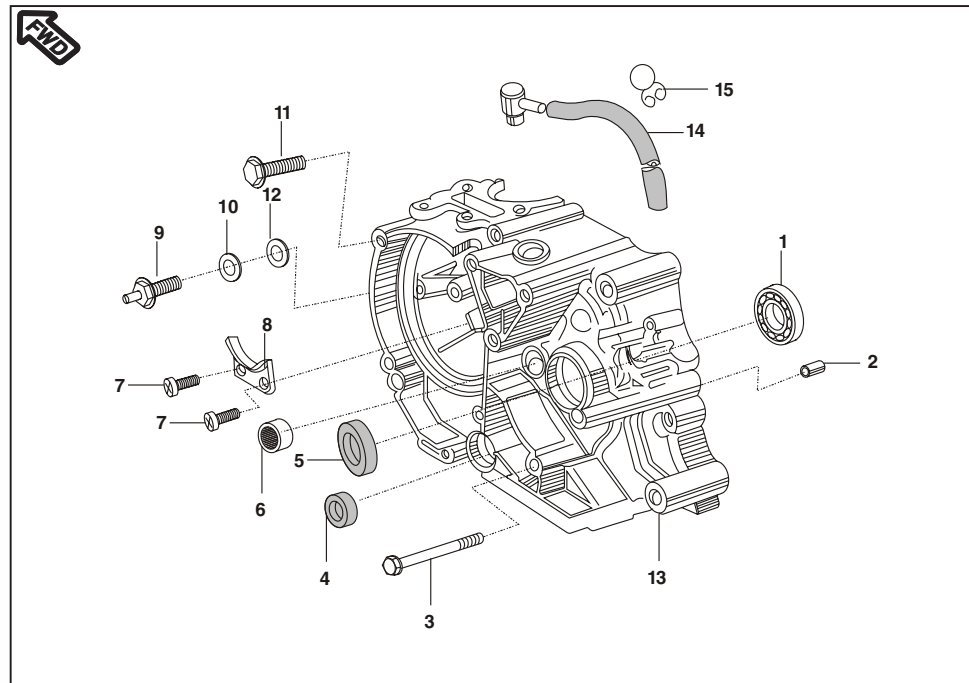
No.	Part No.	Description	Qty/Veh.		Remarks
			CT100 RHL	CT100 THL	
1	31 1011 91	Fork Shift	1	1	
2	31 1010 51	Rod shift	2	2	
3	DU 1010 81	Drum assly. change	1	1	
4	DM 1010 98	Cup Stopper	1	1	
5	31 1011 92	Fork shift	1	1	
6	39 0992 06	Pin Dowel	5	5	
7	DP 1013 40	Bolt Soc. Head	1	1	
8	DM 1010 99	Plate Spacer	1	1	
9	DU 1010 83	Cam Drum Change	1	1	



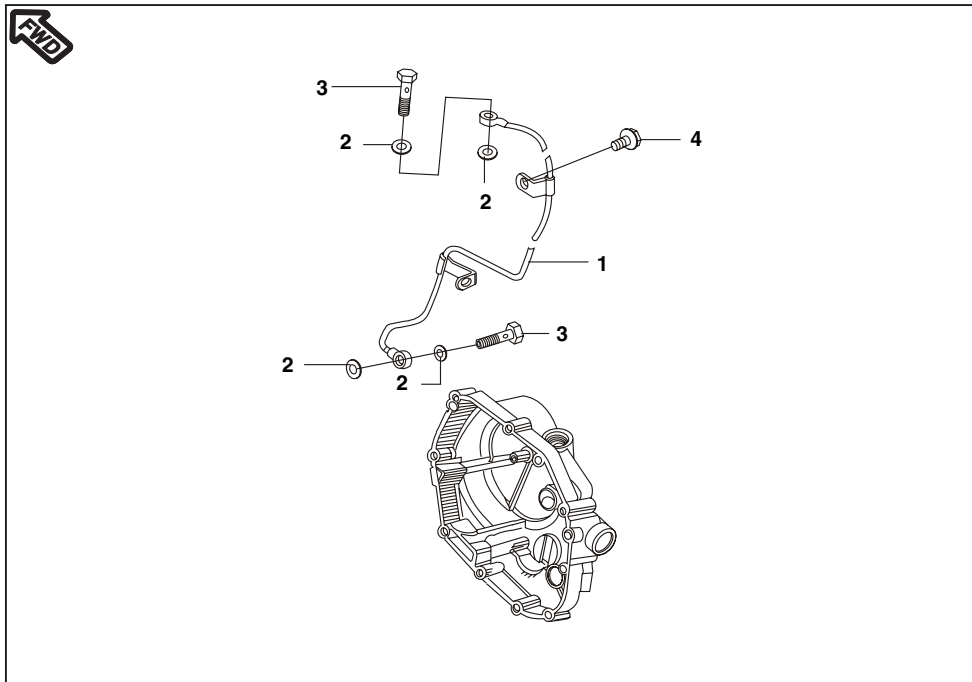
No.	Part No.	Description	Qty/Veh.		Remarks
			CT100 RHL	CT100 THL	
1	DU 1010 73	Stopper Comp. Gear Shifter	1	1	
2	39 1994 04	Bolt	1	1	
3	36 DU10 04	Gear Lever Spring Kit	1	1	Ref. Page No.63
4	DU 1010 74	Plate Position	1	1	
5	39 0746 01	Screw Pan Cross	1	1	
6	DD 1013 36	Lever Comp. Change Shaft	1	1	Upto March 05
	52 DU01 04	Lever Comp. Change Shaft	1	1	Shaft+Spring+collar
7	DD 1011 06	Bolt	1	1	
8	39 2474 04	Flanged bolt	1	1	
9	DD 1014 95	Lever Change / Damper	1	1	Upto March 05
	DU 1011 85	Lever Change / Damper	1	1	w.e.f. April 05
10	31 10 1108	Damper	1	1	
11	31 1011 09	Collar	1	1	
12	39 2704 11	Washer Spring Steel	1	1	
13	DU 1010 92	Spacer	1	1	



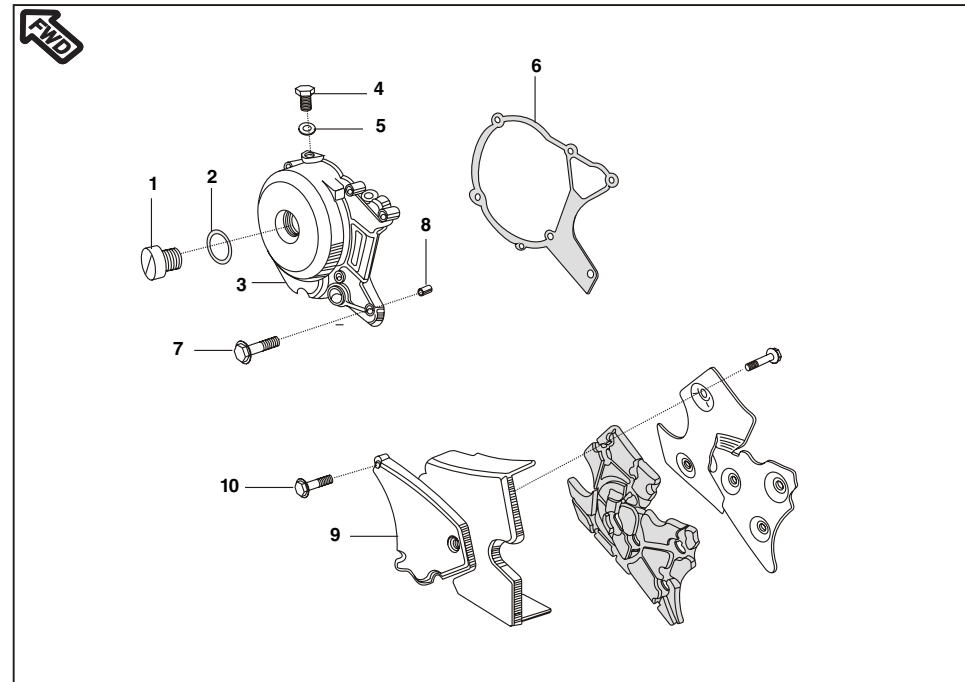
No.	Part No.	Description	Qty/Veh.		Remarks
			CT100 RHL	CT100 THL	
1	39 1225 15	Nut	3	3	
2	39 0248 11	Plain Washer	3	3	
3	39 2702 04	Bolt	2	2	
4	39 1056 04	Bolt	1	1	
5	39 1864 20	Bearing Ball	1	1	
6	39 0999 06	Dowel Pin	5	5	
7	01 1701 11	Bearing	1	1	
8	DP 1014 52	Oil Strainer	1	1	
9	DG 1014 98	Gasket	1	1	
10	DU 1012 23	Plug (Drain)	1	1	
11	59 2000 34	Bearing	1	1	
12	DU 1010 75	Crankcase Comp. RH	1	1	
13	DU 1010 85	Bushing	1	1	
14	DU 1010 01	Engine Assembly	1	1	Upto July 05 N.I.
	DU 1012 20	Engine Assembly	1	1	w.e.f. Aug. 05 N.I.



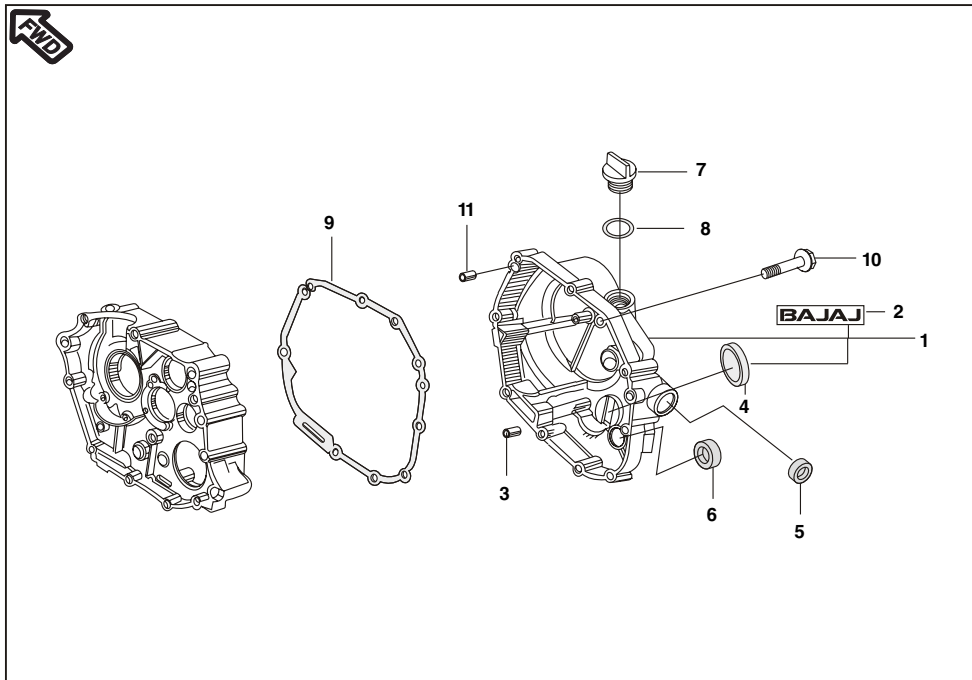
No.	Part No.	Description	Qty/Veh.		Remarks
			CT100 RHL	CT100 THL	
1	01 1701 11	Ball Bearing	1	1	
2	39 1050 06	Dowel Pin	1	1	
3	39 1066 04	Bolt Flanged Small	3	3	
4	39 1043 19	Oil Seal	1	1	
5	39 1080 19	Seal Oil	1	1	
6	39 1008 20	Bearing Needle	1	1	
7	39 0702 01	Screw Pan Cros	2	2	
8	31 10 1056	Guide	1	1	
9	31 2010 81	Switch Comp. (Neutral)	1	1	
10	39 0703 11	Plain Washer	1	1	
11	39 1075 04	Bolt Flanged Small	7	7	
12	30 1010 15	Gasket	1	1	
13	DD 1011 01	Crankcase LH	1	1	Upto July 05
	DU 1012 16	Crankcase LH	1	1	w.e.f. Aug. 05
14	DD 1012 19	Tube rubber	1	1	
15	30 1410 15	Clamp	2	2	



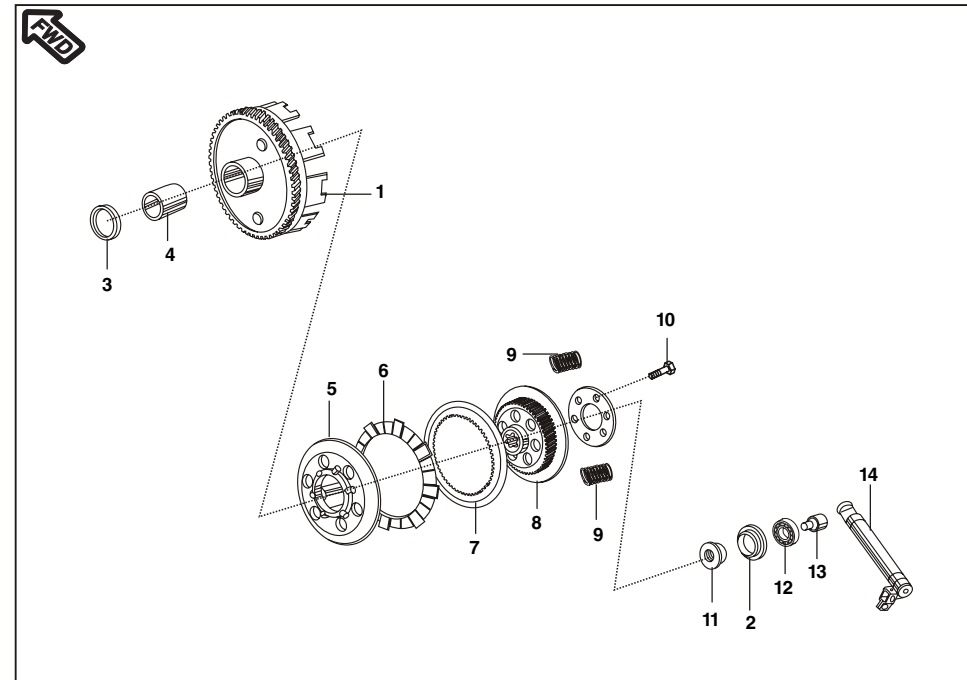
No.	Part No.	Description	Qty/Veh.		Remarks
			CT100 RHL	CT100 THL	
1	DU 1210 05	Pipe Oil	1	1	Use with Bkt. Engine Frt. RH DU161094 Use with Bkt. Engine Frt. DD161052
	DU 1210 10	Pipe Oil	1	1	
2	31 1210 06	Gasket	4	4	
3	39 1023 04	Bolt	2	2	
4	39 1062 04	Bolt flanged small	2	2	



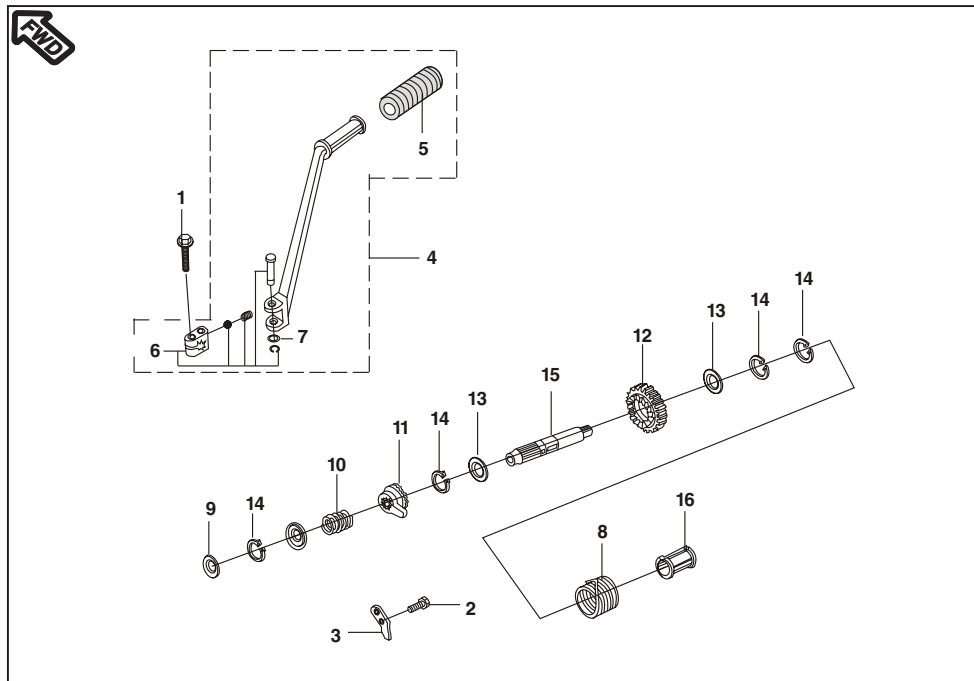
No.	Part No.	Description	Qty/Veh.		Remarks
			CT100 RHL	CT100 THL	
1	31 1010 62	Bolt	1	1	
2	39 1019 21	Ring O	1	1	
3	31 1012 95	Cover Generator	1	1	
4	31 1010 61	Plug	1	1	
5	31 1011 13	Gasket	1	1	
6	DM 1011 39	Gasket - Generator Cover	1	1	
7	39 1074 04	Bolt Flanged Small	5	5	
8	39 0999 06	Pin	2	2	
9	52 DM00 86	Cover Chain (Engine)	1	1	For 18" Wheel
10	39 2147 04	Bolt Flanged Small	3	3	



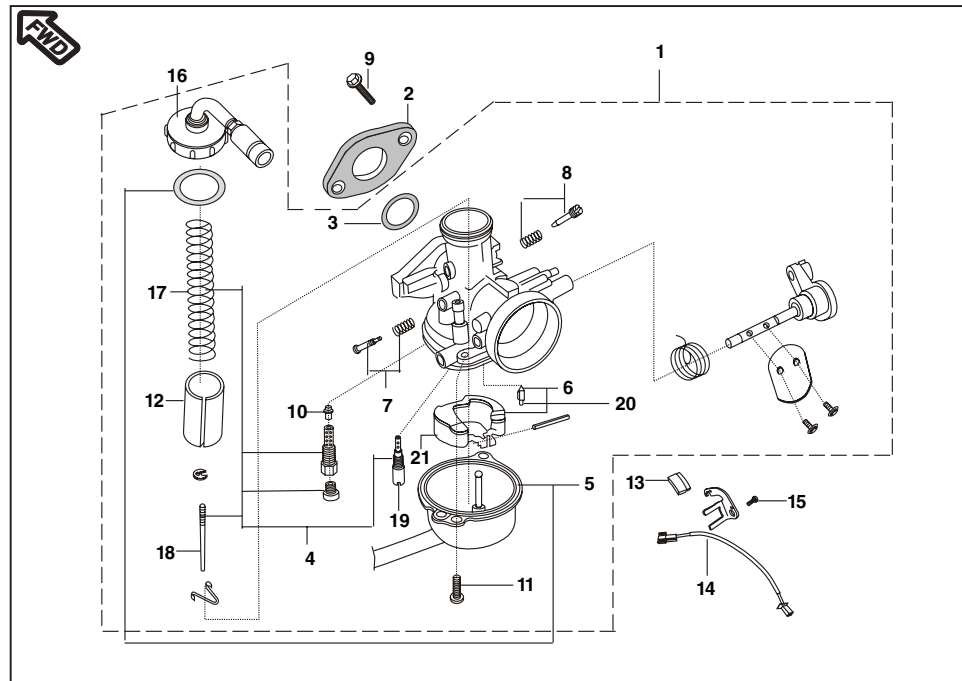
No.	Part No.	Description	Qty/Veh.		Remarks
			CT100 RHL	CT100 THL	
1	DU 1012 10	Clutch cover/ Graphics/Gauge	1	1	
2	DF 1010 71	Label clutch cover "Bajaj"	1	1	
3	39 0999 06	Dowel Pin	2	2	
4	31 1010 67	Gauge	1	1	
5	39 1041 19	Seal oil	1	1	
6	30 1011 42	Seal oil	1	1	
7	DD 1013 25	Cap oil filler	1	1	
8	39 2134 21	O ring	1	1	
9	DM 1011 40	Gasket (Clutch cover)	1	1	
10	39 1075 04	Bolt flanged small	10	10	



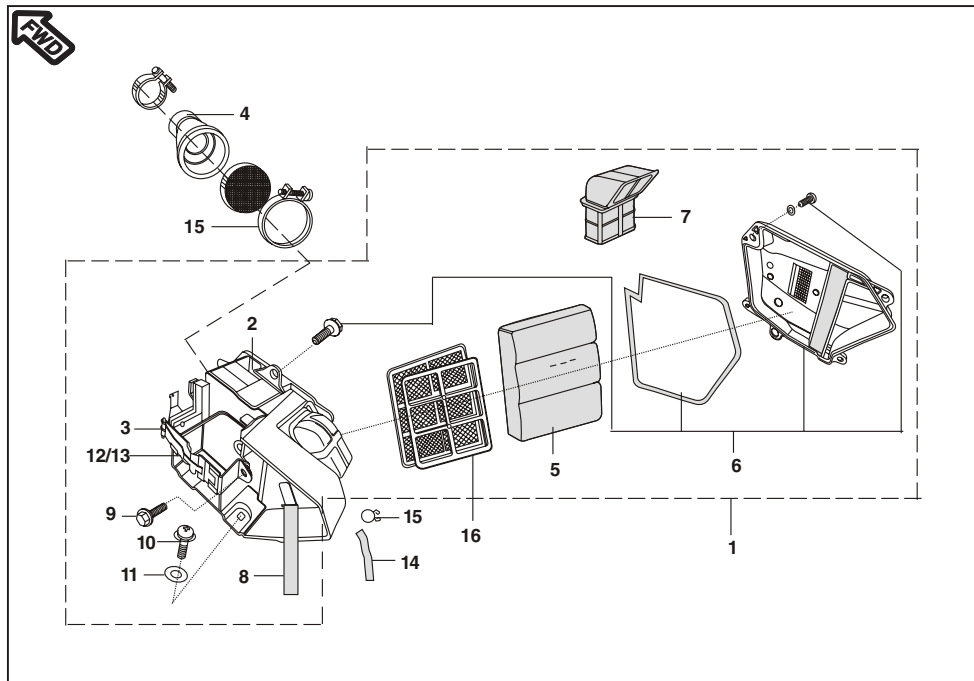
No.	Part No.	Description	Qty/Veh.		Remarks
			CT100 RHL	CT100 THL	
1	DU 1011 15	Housing Comp. clutch	1	1	Upto Dec. 05 w.e.f. Jan. 06
	DX 1010 54	Housing Comp. clutch	1	1	
2	28 1011 95	Holder	1	1	
3	39 2600 11	Plain Washer	2	2	
4	DU 1011 09	Collar	1	1	
5	DD 1014 92	Wheel Clutch	1	1	
6	DD 1014 80	Plate Friction	5	5	
7	30 1010 96	Plate Clutch	4	4	
8	DD 1014 93	Hub Clutch	1	1	
9	28 1012 14	Spring	6	6	
10	39 0980 04	Hex. Bolt	6	6	
11	39 1053 15	Hex.Nut/Flange	1	1	
12	39 2403 20	Bearing	1	1	
13	31 10 1148	Rod Push	1	1	
14	31 10 1144	Lever Assly. Complete	1	1	Upto Dec. 05 w.e.f. Jan. 06
	DX 1010 35	Lever Assly. Complete	1	1	



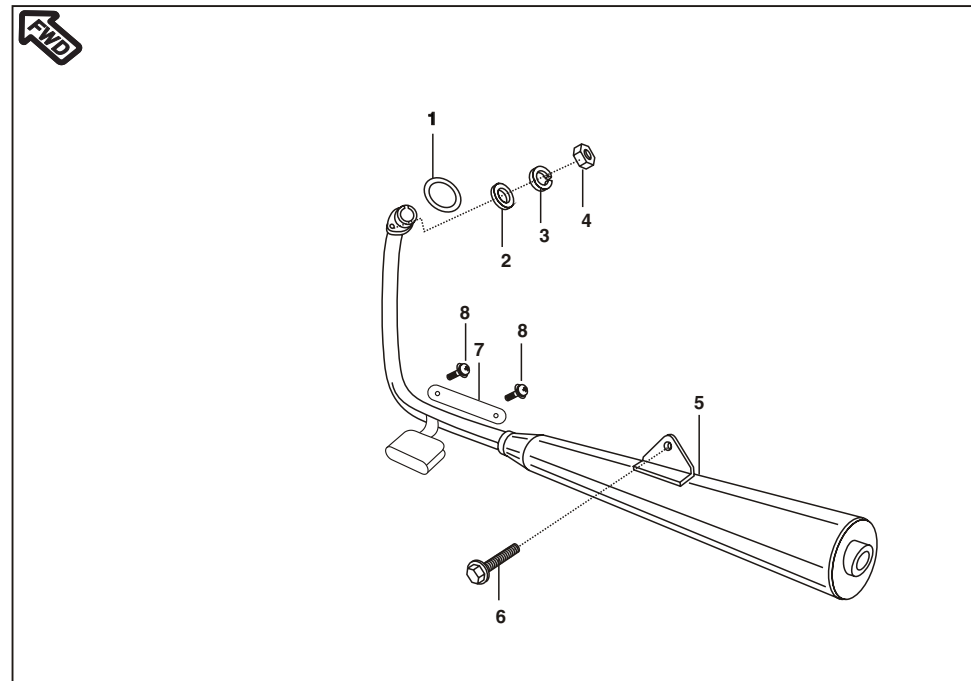
No.	Part No.	Description	Qty/Veh.		Remarks
			CT100 RHL	CT100 THL	
1	59 0400 25	Flanged bolt	1	1	
2	DD 1012 64	Screw Pan Cross	2	2	
3	DD 1012 54	Guide Kick	1	1	
4	DU 1010 50	Lever Assly Kick Comp.	1	1	
5	30 1011 54	Bush(Damper)	1	1	
6	36 DU10 07	Boss Kick Set	1	1	Ref. Page No.63
7	22 1502 41	Plain Washer	1	1	
8	31 1010 41	Spring	1	1	
9	39 0993 11	Plain Washer	1	1	
10	31 1010 39	Coil Spring	1	1	
11	31 1010 38	Ratchet	1	1	
12	DU 1010 38	Gear Spur Kick Start	1	1	
13	39 0995 11	Plain Washer	2	2	
14	39 0738 17	External Circlip Type C	4	4	
15	DU 1010 45	Shaft Kick	1	1	
16	31 1010 40	Guide	1	1	



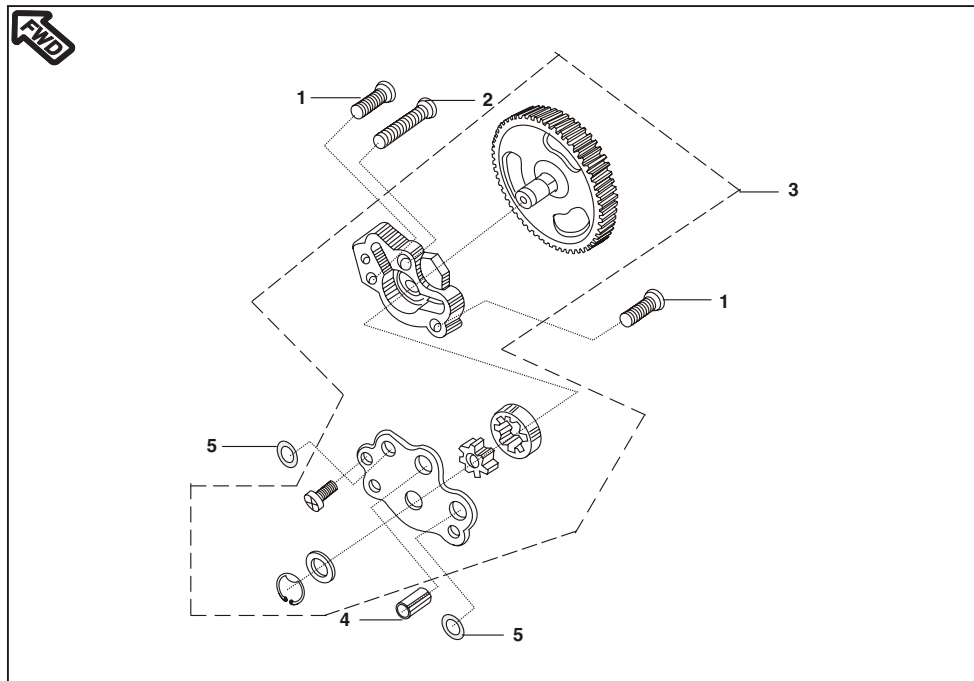
No.	Part No.	Description	Qty/Veh.		Remarks
			CT100 RHL	CT100 THL	
1	DU 1210 09	Carburettor Assly. (PB-16)	1	1	
2	DU 1010 57	Insulator (Carburettor / Intake)	1	1	
3	39 1283 21	O ring	1	1	
4	36 DU12 06	Carburettor Holder / Jet Kit	1	1	Ref. Page No.64
5	36 DU12 04	Gasket O ring Kit for Carb.	1	1	Ref. Page No.63
6	36 DU12 05	Carburettor Float pin Kit	1	1	Ref. Page No.64
7	36 DU12 02	Idling Screw kit	1	1	Ref. Page No.63
8	36 DU12 03	Air Control Screw Kit	1	1	Ref. Page No.63
9	DU 1012 28	Flanged bolt	2	2	For mounting Carburettor
10	DU 1210 28	Seat for Jet Needle	1	1	
11	DD 1211 71	Screw with washer	2	2	
12	DU 1210 17	Valve throttle	1	1	
13	DH 1211 01	Magnet Assly.	1	1	TPS Assly.
14	DH 1211 02	Reed Switch Assly.	1	1	Parts
15	39 1062 04	Bolt Flanged Small	1	1	TPS Mounting
16	DU 1210 22	Cap Assly.	1	1	
17	DU 1210 21	Spring Throttle	1	1	
18	DU 1210 18	Needle Jet	1	1	
19	DU 1210 13	Jet Pilot	1	1	
20	DD 1211 68	Valve Float	1	1	
21	DU 1210 15	Float	1	1	



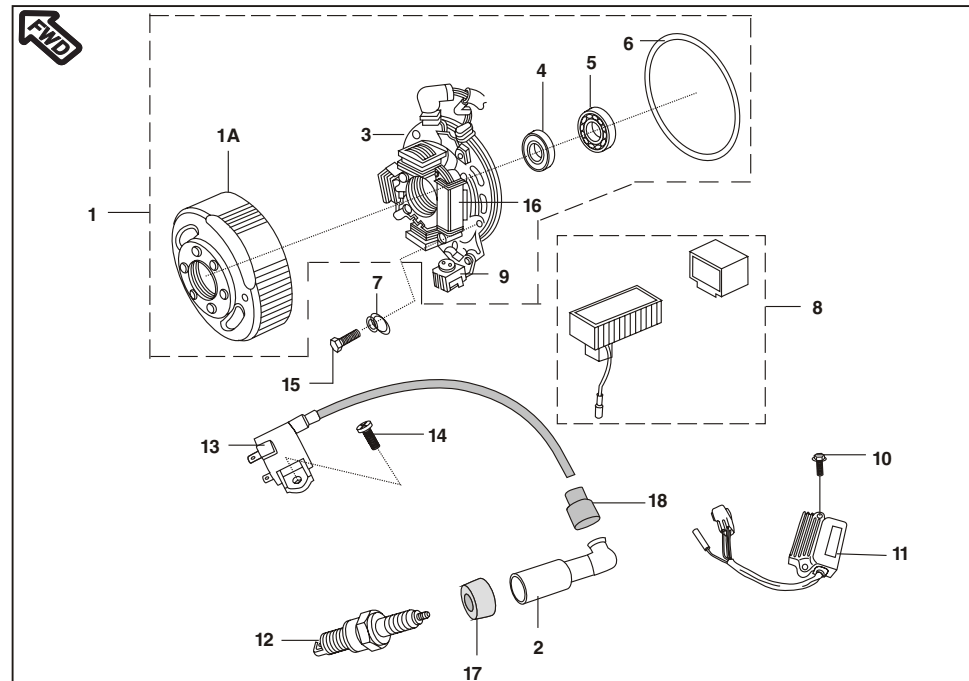
No.	Part No.	Description	Qty/Veh.		Remarks
			CT100 RHL	CT100 THL	
1	DU 1210 01	Filter assly air	1	1	Upto Feb. 05
	DF 1210 23	Filter assly air	1	1	w.e.f. March 05
2	DU 1210 04	Case air filter	1	1	Upto Feb. 05
	DF 1210 25	Case air filter	1	1	w.e.f. March 05
3	39 0986 08	Pin Cotter	1	1	
4	DU 1210 08	Duct (A/F to Carburettor)	1	1	
5	31 1210 29	Element air filter	1	1	
6	36 DU12 01	Air filter Kit	1	1	Ref. Page No.63
7	DH 1211 03	Duct (Inlet)	1	1	
8	DM 2210 01	Band - Tool kit	1	1	
9	39 1680 04	Flanged bolt (Battery)	1	1	
10	39 2407 01	Screw (Mounting air filter)	2	2	
11	39 1789 24	Washer (Nylon)	2	2	
12	DM 1210 10	Band (Battery)	1	1	
13	31 1610 07	Damper battery	2	2	
14	DM 1210 14	Tube oil drain	1	1	
15	DG 1210 02	Clamp	1	1	
16	31 1210 37	Plate	1	1	



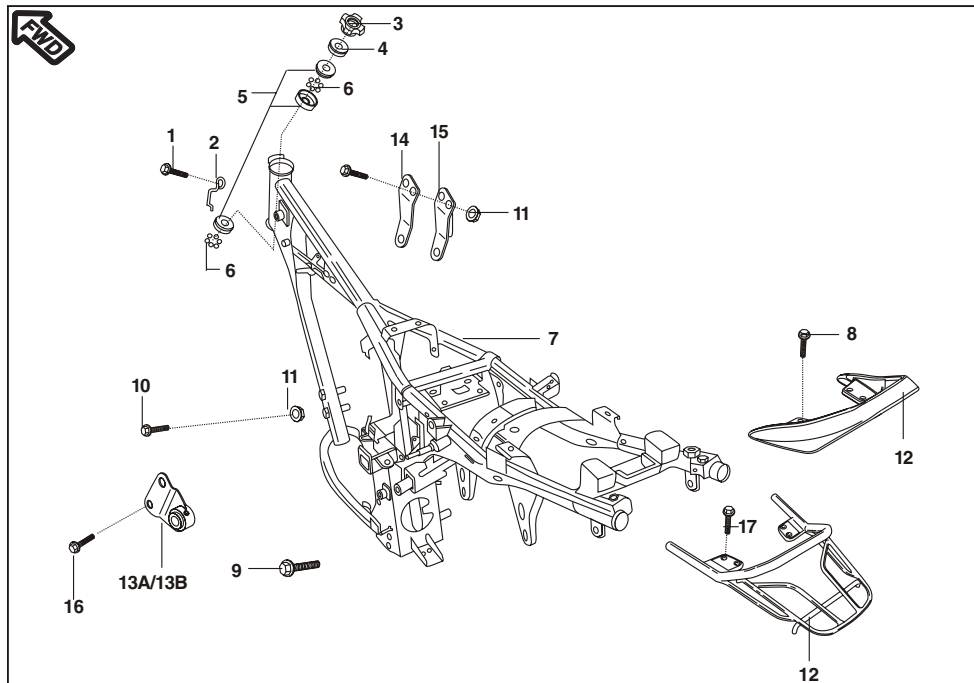
No.	Part No.	Description	Qty/Veh.		Remarks
			CT100 RHL	CT100 THL	
1	31 10 1014	Gasket	1	1	
2	39 0198 11	Plain Washer	2	2	
3	39 0732 12	Spring washer	2	2	
4	DU 1012 06	Nut	2	2	
5	DU 1011 82	Muffler	1	1	With Ex. Tec & CAT
	DU 1011 96	Muffler (Export)	1	1	W/o CAT & with Ex. Tec
6	DD 1013 66	Flanged Bolt	1	1	
7	DU 1011 80	Shield Exhaust Tube	1	1	
8	DH 1016 07	Truss Screw	2	2	



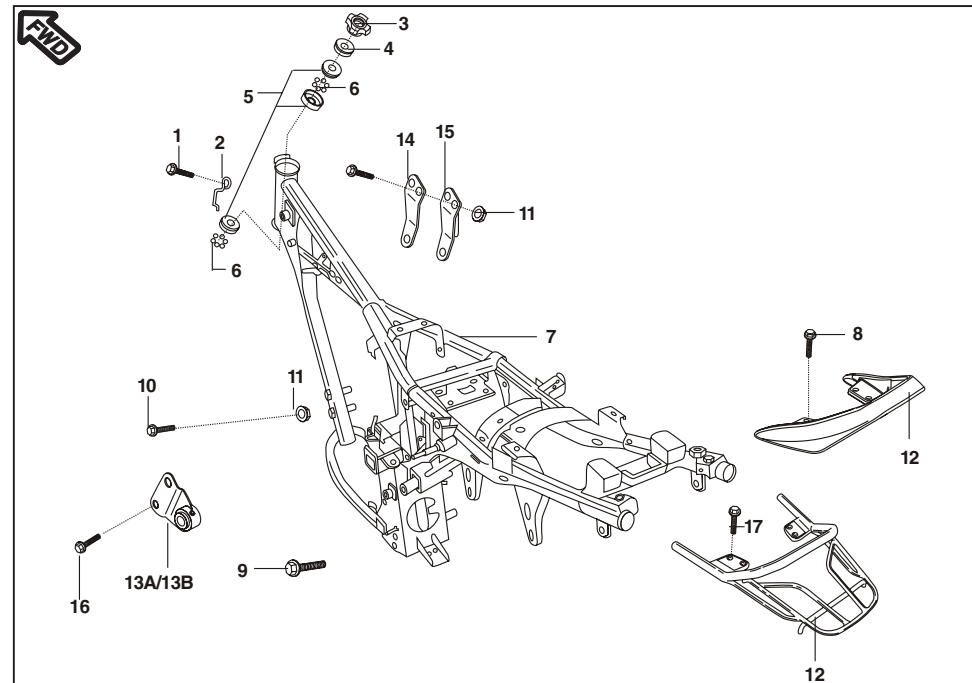
No.	Part No.	Description	Qty/Veh.		Remarks
			CT100 RHL	CT100 THL	
1	39 1078 01	Screw Pan Cros	2	2	
2	39 0753 01	Screw Pan Cros	1	1	
3	DF 1210 03	Pump Assly. Oil	1	1	
4	39 0999 06	Pin dowel	1	1	
5	39 1013 21	Ring O	2	2	



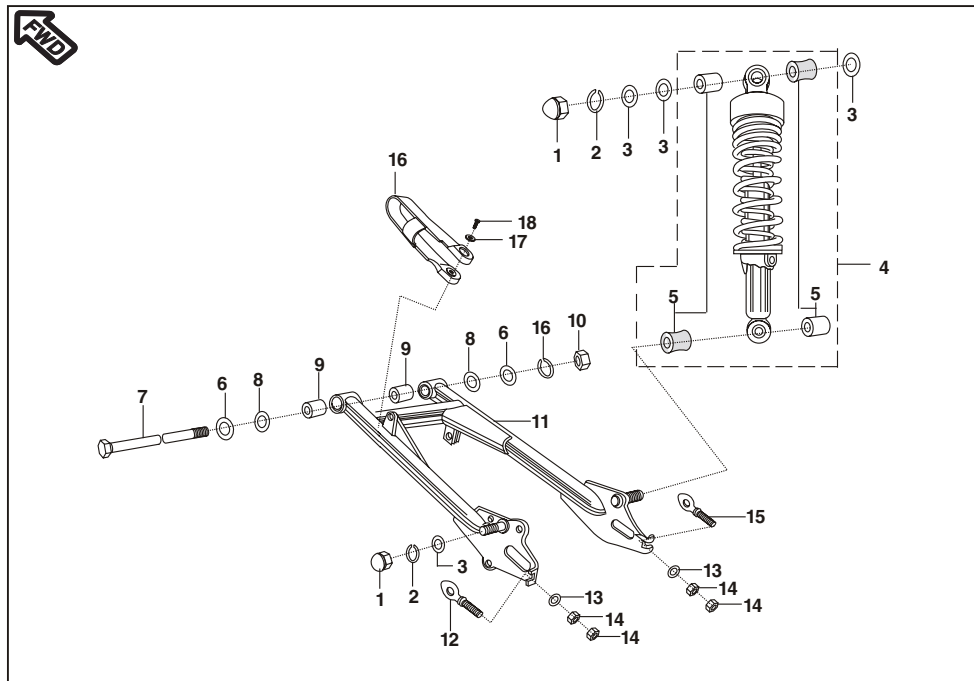
No.	Part No.	Description	Qty/Veh.		Remarks
			CT100 RHL	CT100 THL	
1	DF 1110 15	Magneto assly / Brg. & Oil Seal	1	1	
1A	DX 1110 05	Magneto (Rotor)	1	1	
2	DD 1110 48	Cap Spark plug (R)	1	1	
3	DF 1110 20	Stator assly	1	1	
4	39 1042 19	Seal Oil (HTA make)	1	1	
5	39 1003 20	Bearing ball	1	1	
6	39 1028 21	Ring O	1	1	
7	39 1659 11	Plain washer	3	3	
8	DF 1110 17	Ignitor assly (C.D.I.) / Damper	1	1	
9	31 1110 58	Pulser Coil	1	1	
10	39 1553 04	Flanged Bolt	2	2	
11	DU 2010 62	Regulator/Rectifier (R/R) unit	1	1	
12	DD 1110 18	Plug Spark (P-RZ9HC)	1	1	
13	DF 1110 33	H. T. Coil	1	1	
14	39 0745 01	Screw pan cross	1	1	
15	DD 1013 18	Bolt	3	3	
16	31 1110 56	Exciter coil	1	1	
17	DD 1110 11	Grommet Spark plug Cap	1	1	
18	DD 1110 12	Grommet H.T. Cable	1	1	



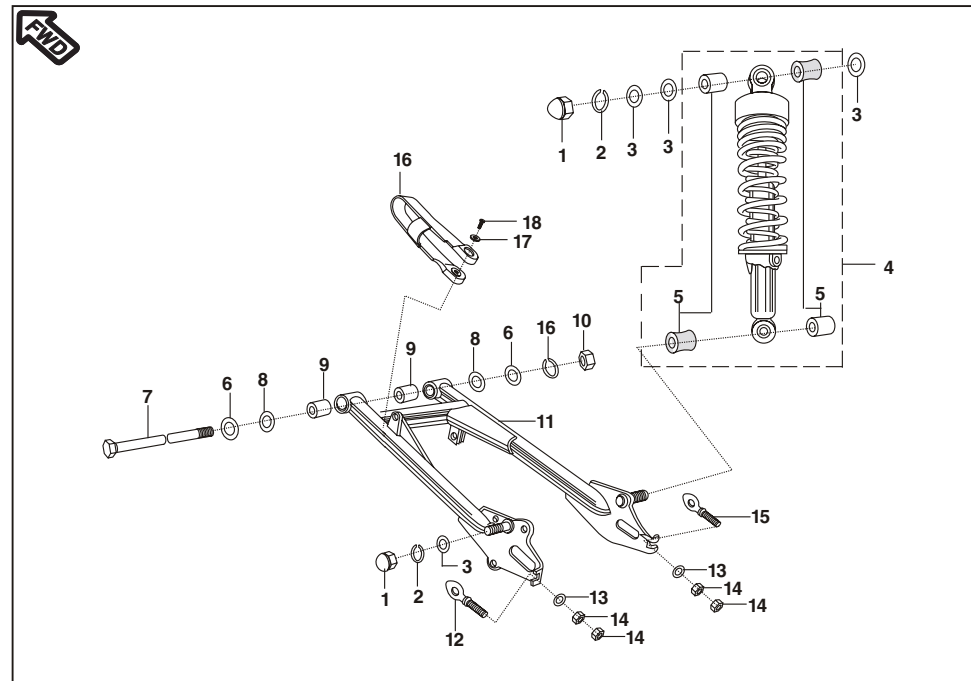
No.	Part No.	Description	Qty/Veh.		Remarks
			CT100 RHL	CT100 THL	
1	39 2473 04	Flanged Bolt	1	1	
2	31 1910 02	Clamp	1	1	
3	DF 1810 90	Nut	1	1	
4	DF 1810 52	Cap Steering	1	1	
5	36 3140 01	Bearing cone kit	1	1	Ref. Page No.63
6	30 18 1006	Ball Steel	46	46	
7	DU 1610 67	Frame Comp./Brg.races	1	1	
	DU 1611 25	Frame Comp./Brg.races	1	1	For SNS
8	39 2222 04	Flange Bolt	--	4	
9	39 2702 04	Hex.Bolt	1	1	Engine Mounting Rubber
10	39 2469 04	Flanged Bolt	1	1	



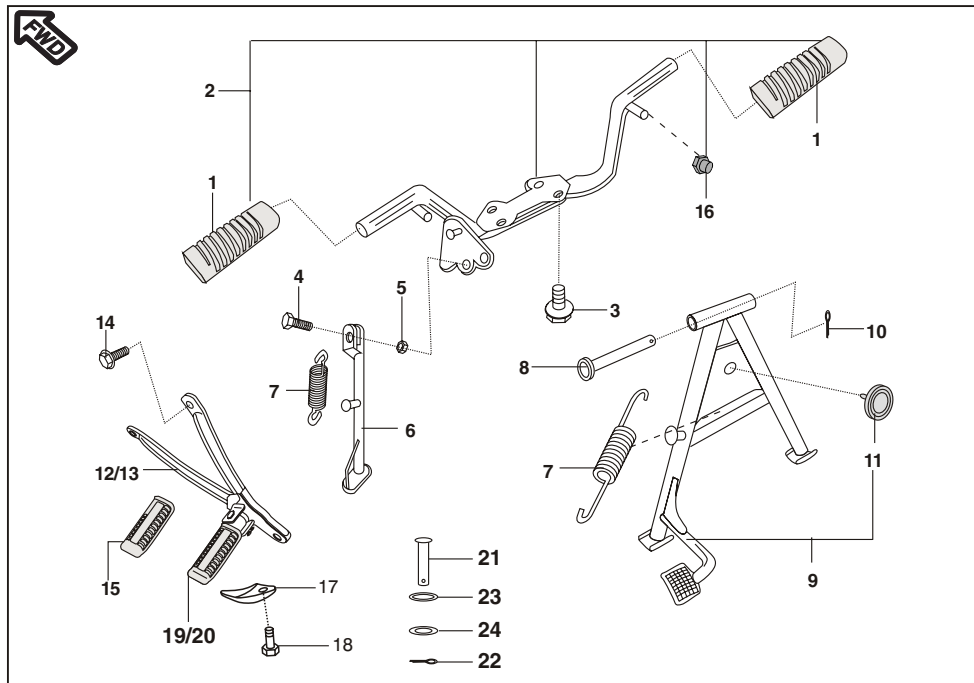
No.	Part No.	Description	Qty/Veh.		Remarks
			CT100 RHL	CT100 THL	
11	39 2479 15	Flange Nut	5	5	
12	DU 2210 04	Grip frame(Tubular)	1	--	
	DU 2210 01	Grip frame(die Cast)	--	1	
13A	DU 1610 93	Bracket Engine Front/Bush LH	1	1	
13B	DU 1610 94	Bracket Engine Front/Bush RH	1	1	
14	DD 1610 53	Bracket Engine Upper LH	1	1	
15	DF 1611 68	Bracket Engine Upper RH	1	1	
16	39 2700 04	Flange Bolt	1	1	
17	39 2455 04	Flange Bolt	2	--	



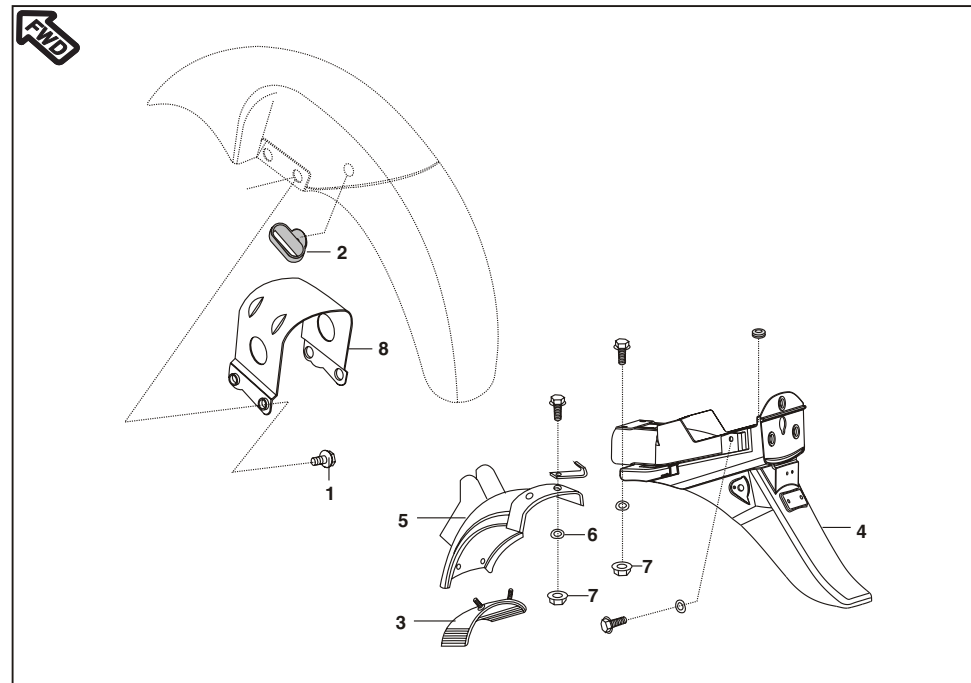
No.	Part No.	Description	Qty/Veh.		Remarks
			CT100 RHL	CT100 THL	
1	39 0712 15	Domed Cap Nut	4	4	
2	39 0737 12	Washer Spring	4	4	
3	39 0714 11	Washer Plain	8	8	
4	DU 1710 08	Rear Shock Absorber	2	2	
	DM 1710 25	Rear Shock Absorber	2	2	For 17" Wheel SNS
5	36 DF17 01	Rubber Inner Bush kit	1	1	Ref. Page No.63
6	39 0248 11	Plain Washer	2	2	
7	31 1710 06	Shaft Swing Arm	1	1	
8	39 0201 11	Plain Washer	2	2	
9	30 1710 18	Bushing Rubber	2	2	
10	39 1225 15	Nut Hex./ flange	1	1	
11	31 1710 01	Arm Comp. Swing / Bush	1	1	
	DU 1710 17	Arm Comp. Swing / Bush	1	1	For 17" Wheel SNS
12	52 DF00 21	Adjuster Chain (RH)	1	1	
13	39 0711 11	Washer Plain	2	2	
14	39 0292 15	Hex Nut	4	4	
15	52 DF00 20	Adjuster Chain (LH)	1	1	



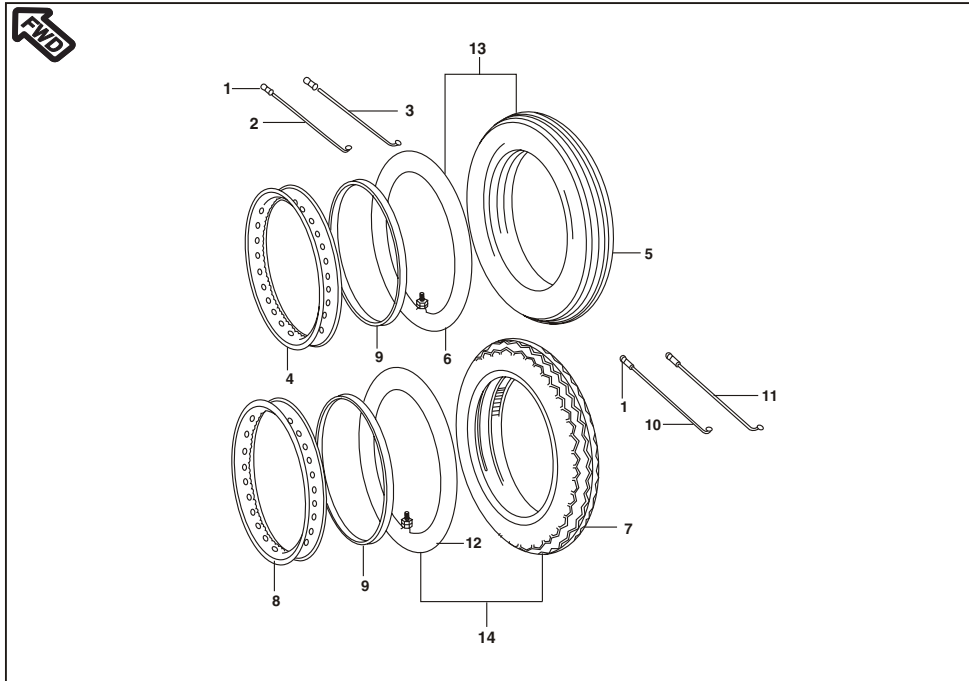
No.	Part No.	Description	Qty/Veh.		Remarks
			CT100 RHL	CT100 THL	
16	31 1710 12	Damper for Swing arm	1	1	
17	39 0454 11	Plain washer	2	2	
18	39 0553 02	Self tapping Screw	2	2	



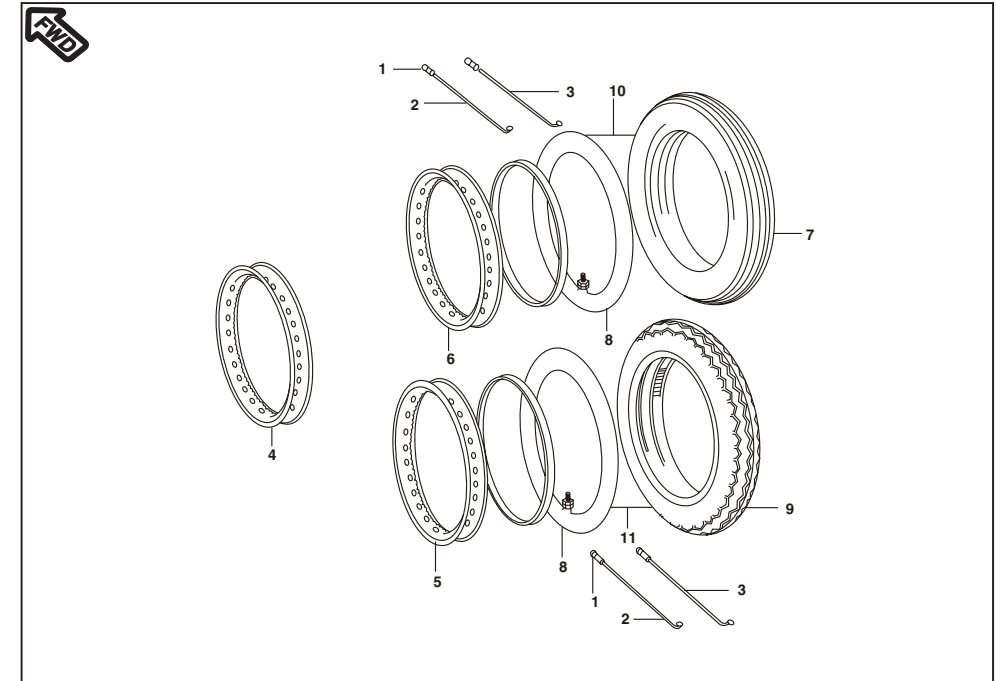
No.	Part No.	Description	Qty/Veh.		Remarks
			CT100 RHL	CT100 THL	
1	DF 1614 13	Damper (PVC)	2	2	
2	DF 1614 25	Holder Step/Damper/Kick Stopper	1	1	
3	39 1940 04	Flanged Bolt	4	4	
4	DF 1611 02	Bolt	1	1	
5	39 0422 15	Nyloc Nut	1	1	
6	DL 1610 48	Stand Side	1	1	
7	30 1611 58	Spring	2	2	
8	30 1611 57	Shaft Stand	1	1	
9	DU 1610 32	Stand Centre / Damper	1	1	
10	39 0787 08	Pin Cotter	1	1	
11	DG 1611 24	Damper	1	1	
12	DU 1610 77	Stay LH / PVC Damper	1	1	
13	DU 1611 46	Stay LH / PVC Damper	1	1	For SNS
13	DU 1610 78	Stay RH / PVC Damper	1	1	
13	DU 16 11 47	Stay RH / PVC Damper	1	1	For SNS
14	39 2481 04	Hex bolt flanged	2	2	
15	DF 1614 14	Rubber Pillion Step (PVC)	2	2	
15	DX 1610 56	Rubber Pillion Step (PVC)	2	2	w.e.f. Dec. 05
16	DH 1611 94	Kick Stopper	1	1	
17	DH 1611 78	Spacer Main Step	2	2	New Part w.e.f. Sep. 06
18	22 1504 51	Bolts	2	2	New Part w.e.f. Sep. 06
19	52 DU03 02	Pillion Step LH	1	1	
20	52 DU03 03	Pillion Step RH	1	1	
21	DD 1613 81	Pin Pillion Step	2	2	
22	39 0784 08	Pin Split	2	2	
23	30 1410 31	"O" Ring	2	2	
24	39 1040 11	Washer Plain	2	2	



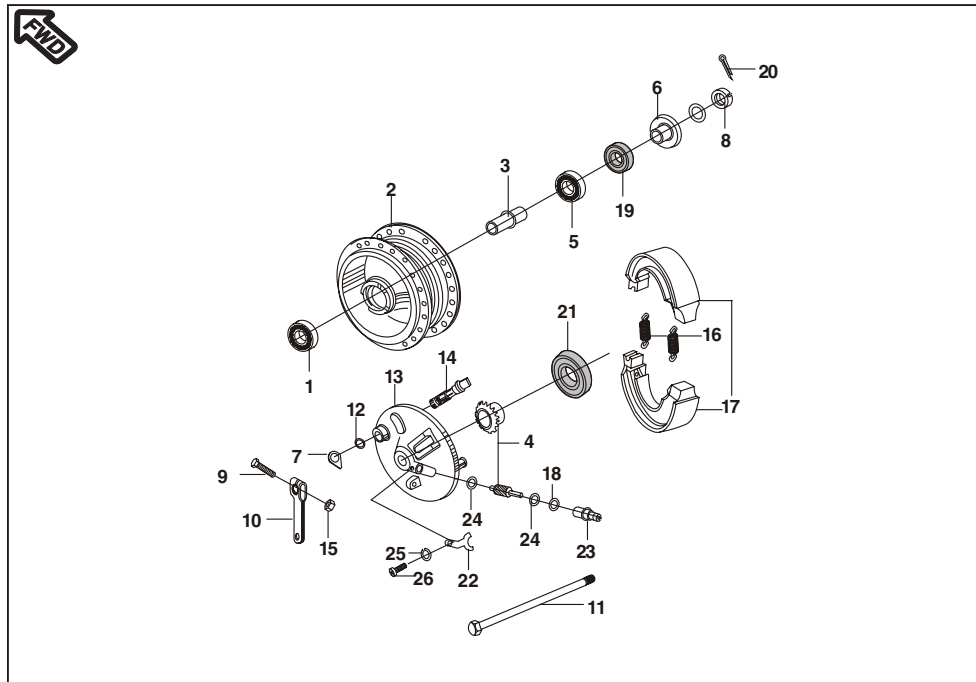
No.	Part No.	Description	Qty/Veh.		Remarks
			CT100 RHL	CT100 THL	
1	39 2222 04	Flanged Bolt	4	4	
2	DJ 1610 68	Cable Guide	1	1	
3	DD 1610 51	Flap	1	1	
4	DU 1610 08	Fender Rear	1	1	For THL along with Adopters. Ref. Page 56
5	DM 1610 09	Fender Rear Front	1	1	
6	39 0711 11	Plain Washer	4	4	
7	39 0817 15	Hex. Nut Flanged	4	4	
8	DU 1610 98	Brace	1	1	
9	DU 1610 99	Pad	1	1	N.I.
10	DD 1614 37	Rivets	1	1	N.I.



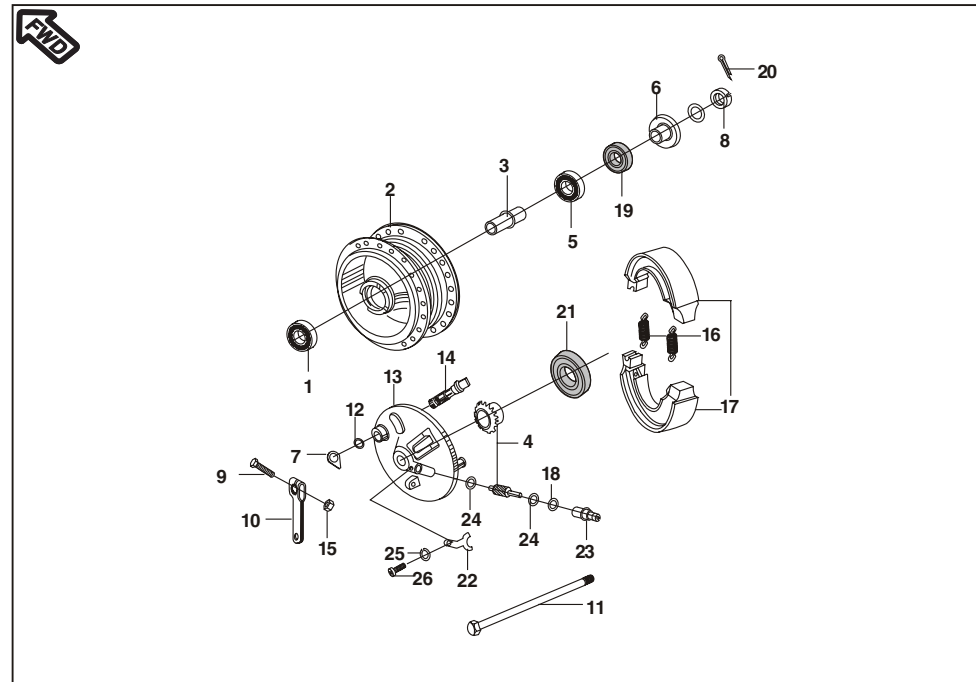
No.	Part No.	Description	Qty/Veh.		Remarks
			CT100 RHL	CT100 THL	
1	16 1510 66	Nipple Spoke	72	72	
2	DU 1510 25	Spoke Inner Front	18	18	
3	DU 1510 26	Spoke Outer Front	18	18	
4	DM 1510 29	Wheel Rim Front (1.6 x 17)	1	1	
5	DS 1510 48	Tyre Front 2.75 X 17	1	1	
6	DS 1510 49	Tube Front 2.75 X 17	1	1	
7	DM 1510 28	Tyre Rear 3 X 17	1	1	
8	DS 1510 46	Wheel Rim Rear (1.85 x 17)	1	1	
9	DG 1510 22	Band Rim	2	2	
10	DS 1510 09	Spoke Inner Rear	18	18	
11	DS 1510 10	Spoke Outer Rear	18	18	
12	DS 1510 53	Tube Rear	1	1	
13	DS 1510 47	Tyre and Tube Front 2.75 x 17	1	1	
14	DM 1510 27	Tyre and Tube Rear	1	1	



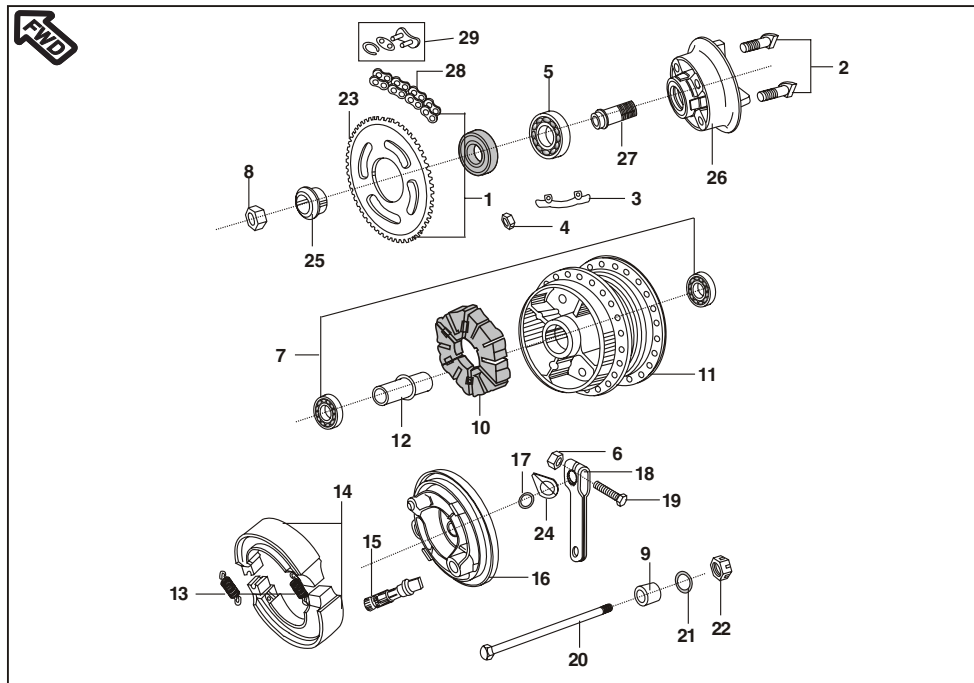
No.	Part No.	Description	Qty/Veh.		Remarks
			CT100 RHL	CT100 THL	
1	16 1510 66	Nipple Spoke	72	72	
2	DF 1510 05	Spoke Inner	36	36	
3	DU 1510 25	Spoke Inner	36	36	For 17" Wheel
	DF 1510 06	Spoke Outer	36	36	
4	DU 1510 26	Spoke Outer	36	36	For 17" Wheel
	DM 1510 08	Wheel Rim Rear and Front	2	2	For 18" Wheel
5	DU 1510 18	Wheel Rim Rear	1	1	For 17" Wheel
6	DM 1510 29	Wheel Rim Front	1	1	For 17" Wheel
7	DS 1510 48	Tyre Front	1	1	For 17" Wheel
8	DS 1510 49	Tube	2	2	
9	DS 1510 52	Tyre Rear	1	1	For 17" Wheel
10	DM 1510 24	Tyre with Tube Front	1	1	For 17" Wheel
	DS 1510 47	Tyre with Tube Front	1	1	
11	DM 1510 27	Tyre with Tube Rear	1	1	For 17" Wheel



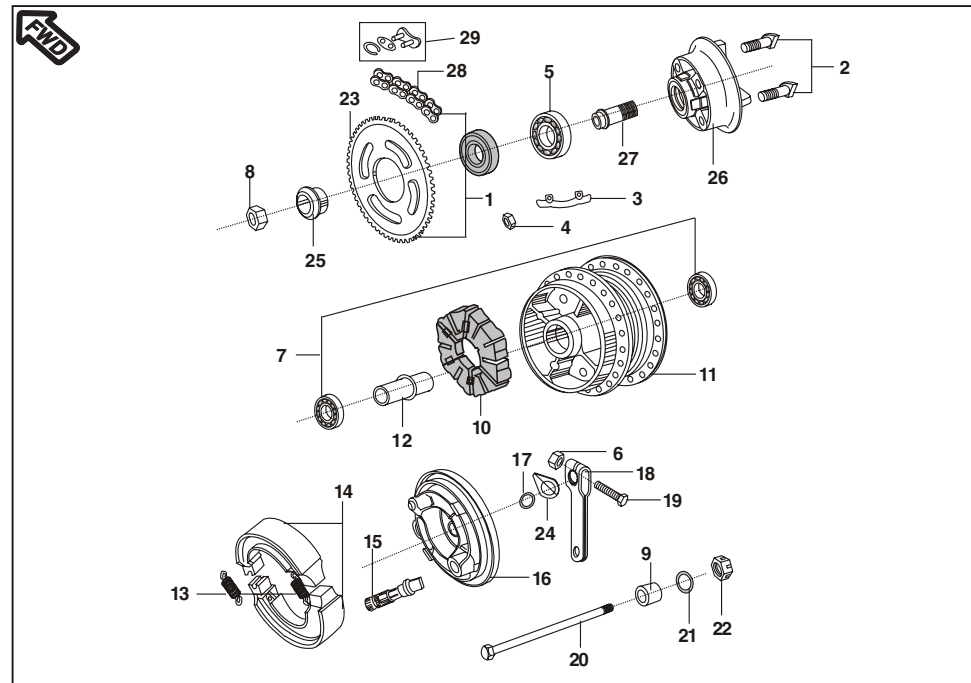
No.	Part No.	Description	Qty/Veh.		Remarks
			CT100 RHL	CT100 THL	
1	39 2680 20	Ball Bearing	1	1	6300RS1/C3
2	DF 1510 03	Drum Front	1	1	
3	31 1510 04	Collar	1	1	
4	36 DZ00 21	Gear Meter Screw Kit	1	1	Ref. Page No.63
5	39 2681 20	Ball Bearing	1	1	6200RS1/C3
6	DU 1510 05	Collar Axle Assly.	1	1	
7	DD 1510 09	Indicator Front	1	1	
8	39 0981 15	Nut Hex. Slotted	1	1	Upto Aug. 06
	DU 1510 31	Nut Hex. Slotted	1	1	w.e.f. Sep. 06
9	39 0775 04	Bolt	1	1	
10	DD 1510 08	Lever Brake Cam	1	1	
11	31 15 1036	Axle	1	1	Upto Aug. 06
	DZ 1510 12	Axle	1	1	w.e.f. Sep. 06
12	30 15 1038	Ring O	1	1	
13	DZ 1510 27	Panel Front Brake	1	1	
14	31 15 1011	Cam Brake	1	1	
15	39 0798 15	Flange Nut	1	1	



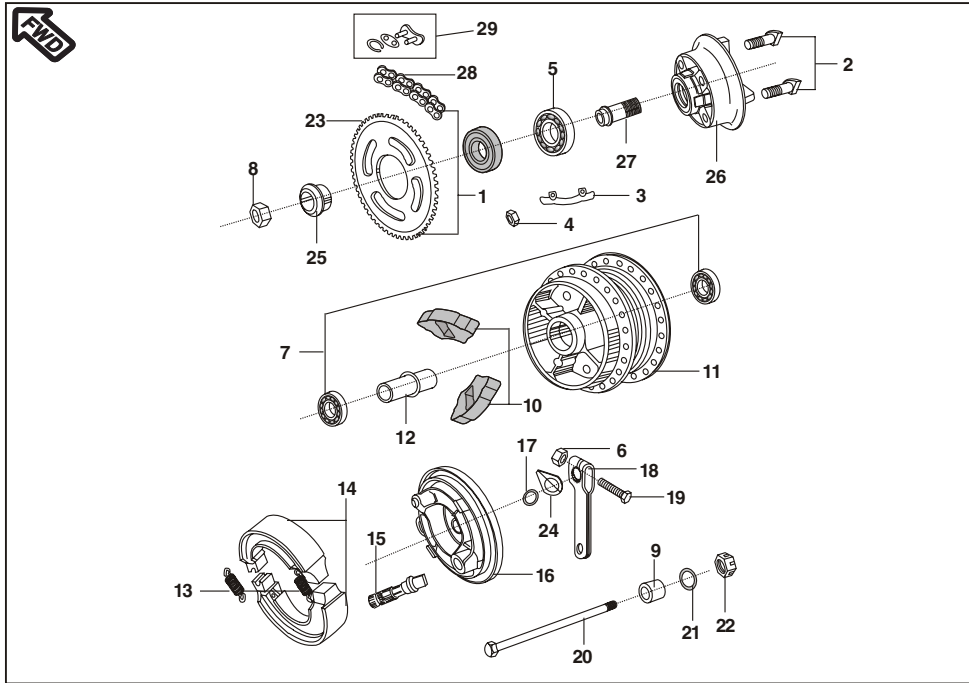
No.	Part No.	Description	Qty/Veh.		Remarks
			CT100 RHL	CT100 THL	
16	30 1510 69	Spring	2	2	
17	31 1510 60	Shoe Brake Assly.	2	2	
18	39 1013 21	Ring 'O'	1	1	
19	14 1510 21	Oil Seal	1	1	
20	39 0990 08	Cotter Pin	1	1	
21	31 1510 14	Oil Seal	1	1	
22	30 1511 18	Stopper for bushing	1	1	
23	30 1511 19	Bushing	1	1	Upto Aug. 06
	JA 1316 06	Bushing	1	1	w.e.f. Sep. 06
24	30 1510 42	Washer	2	2	
25	39 0900 12	Spring Washer	1	1	
26	39 0840 01	Screw pan Cross	1	1	
27	39 1561 21	"O" ring (New Speedo Cable)	1	1	w.e.f. Sep. 06 N.I.
28	39 0841 01	Screw Counter (New Speedo Cable)	1	1	w.e.f. Sep. 06 N.I.



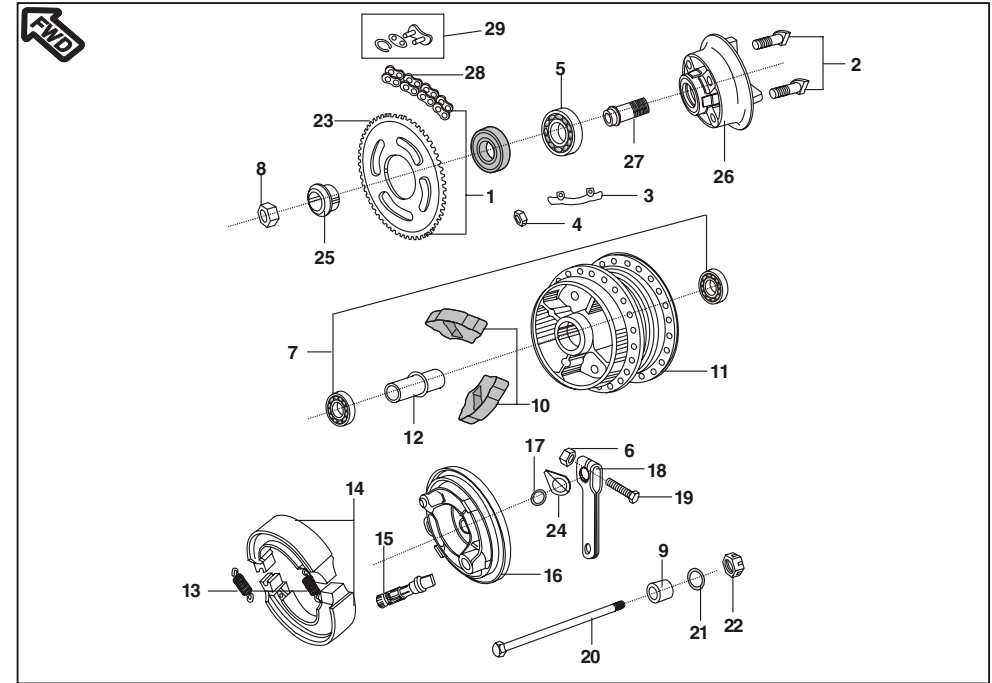
No.	Part No.	Description	Qty/Veh.		Remarks
			CT100 RHL	CT100 THL	
1	36 DU15 05	Chain Sprocket Kit 110mm Rr. Dr	1	1	Ref. Page No. 53
	36 DM00 01	Chain Sprocket Kit 130mm Rr. Dr	1	1	
2	DP 1510 28	'D' bolt	6	6	
3	30 1510 81	Washer	2	2	
4	39 0794 15	Nut Hex. Fine	4	4	
5	39 2240 20	Bearing Ball	1	1	
6	39 0798 15	Hex. nut	1	1	
7	36 2686 20	Rear Wheel Bearing	1	1	
7A	39 2687 20	Rear Wheel Bearing	1	1	
8	39 0988 15	Nut Hex.	1	1	
9	31 1510 26	Collar	1	1	
10	DP 1510 27	Shock Damper	4	1	
11	30 1510 63	Drum Rear	1	1	
12	301510 75	Collar Assly.	1	1	
13	30 1510 69	Spring	2	1	
14	30 1511 05	Shoe Brake Assly.	1	1	
15	30 1510 11	Brake Cam assly	1	1	



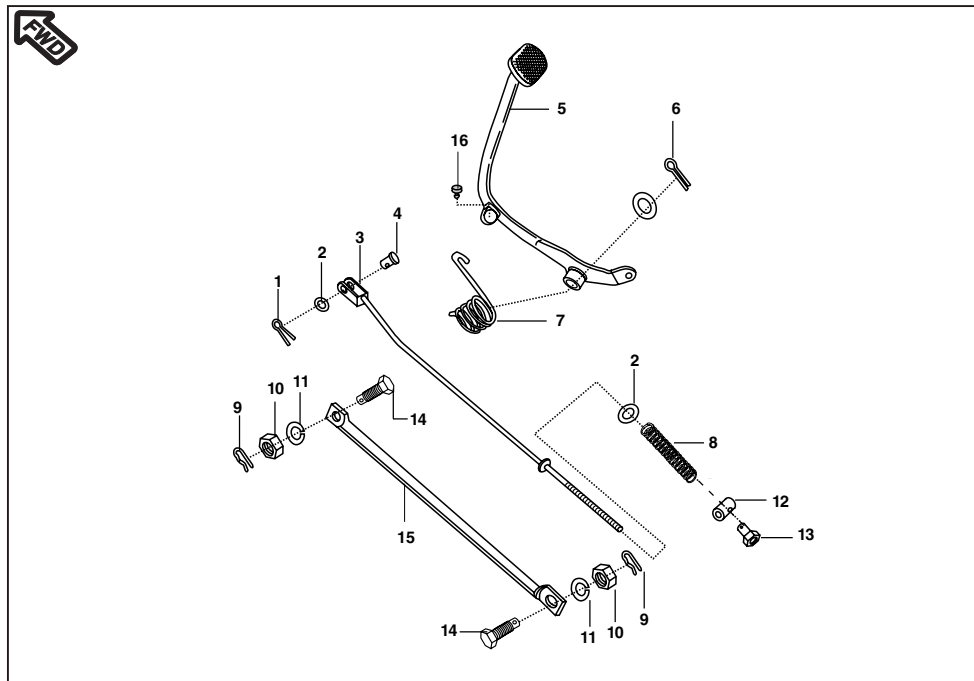
No.	Part No.	Description	Qty/Veh.		Remarks
			CT100 RHL	CT100 THL	
16	30 1510 08	Panel Rear Brake	1	1	
17	30 1510 38	Ring O	1	1	
18	DD 1510 15	Lever Brake	1	1	
19	39 2447 04	Bolt	1	1	
20	DM 1510 32	Axle	1	1	
21	39 2566 11	Washer Plain	1	1	
22	DH 1710 19	Nut Castle	1	1	
23	DJ 1510 18	Sprocket	1	1	
24	30 1510 05	Indicator	1	1	
25	31 1510 30	Collar	1	1	
26	30 1510 78	Coupling	1	1	
27	30 1510 79	Sleeve	1	1	
28	DF 1510 23	Chain	1	1	
29	DX 1510 81	Drive Chain Connecting Link	1	1	



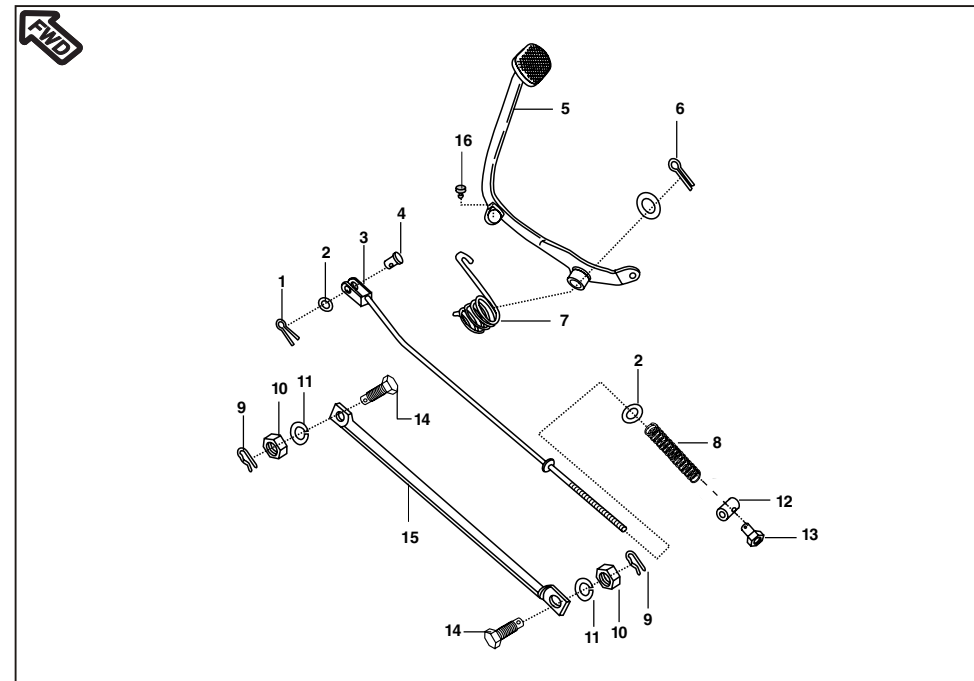
No.	Part No.	Description	Qty/Veh.		Remarks
			CT100 RHL	CT100 THL	
1	36 DU15 05	Chain Sprocket Kit	1	1	Upto Aug.05
	36 DU40 03	Chain Sprocket Kit	1	1	Between Sep.05 to Dec.05
	36 DU40 17	Chain Sprocket Kit	1	1	w.e.f. Jan.06
2	39 0978 04	'D' bolt	4	4	
3	31 15 1029	Washer	2	2	
4	39 0794 15	Nut Hex. Fine	4	4	
5	39 2240 20	Bearing Ball	1	1	
6	39 0798 15	Hex. nut	1	1	
7	36 DU15 06	Rear Wheel Bearing Kit	1	1	Ref. Page No.63
8	39 0988 15	Nut Hex.	1	1	
9	31 1510 26	Collar	1	1	
10	31 15 1021	Shock Damper	4	4	
11	DU 1510 09	Drum Rear	1	1	
12	31 1510 18	Collar Assly.	1	1	
13	30 15 1069	Spring	2	2	
14	31 1510 60	Shoe Brake Assly.	1	1	
15	31 1510 23	Brake Cam Assly.	1	1	



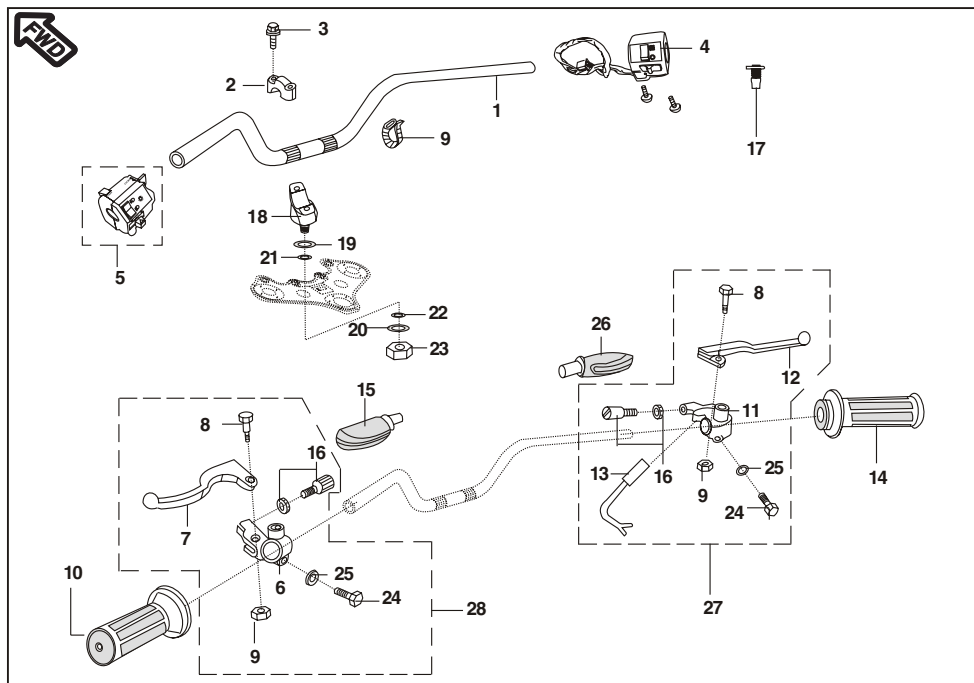
No.	Part No.	Description	Qty/Veh.		Remarks
			CT100 RHL	CT100 THL	
16	31 15 1024	Panel Rear Brake	1	1	
17	30 15 1038	Ring O	1	1	
18	31 15 1037	Lever Brake	1	1	
19	39 0775 04	Bolt	1	1	
20	31 15 1001	Axle	1	1	
21	39 0714 11	Washer Plain	1	1	
22	DH 1710 19	Nut Castle	1	1	
23	DM 1510 09	Sprocket 47 T	1	1	Upto Dec. 05
	DU 1510 27	Sprocket 42 T	1	1	w.e.f. Jan. 06
24	30 1510 05	Indicator	1	1	
25	31 1510 30	Collar	1	1	
26	31 1510 27	Coupling	1	1	
27	31 1510 28	Sleeve	1	1	
28	DM 1510 05	Chain 114 Link	1	1	Upto Dec. 05
	DF 1510 23	Chain 112 Link	1	1	w.e.f. Jan. 06
29	DX 1510 81	Drive Chain Connecting Link	1	1	



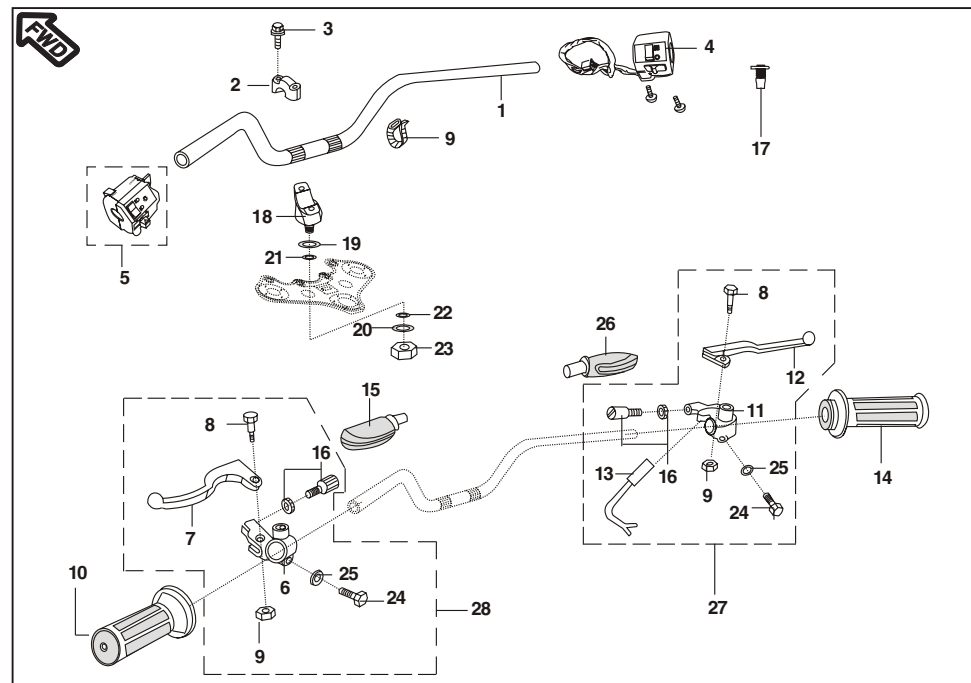
No.	Part No.	Description	Qty/Veh.		Remarks
			CT100 RHL	CT100 THL	
1	39 0808 08	Split pin	1	1	
2	39 0198 11	Plain Washer	2	2	
3	31 1910 16	Rod Brake	1	1	
	DU 1910 30	Rod Brake	--	1	For SNS
4	30 1910 38	Pin	1	1	
5	DU 1910 07	Lever Brake Tubular	1	1	
	DM 1910 16	Lever Brake Tubular	--	1	For SNS
6	39 0797 08	Pin Cotter	1	1	
7	30 1910 31	Spring	1	1	
8	30 1910 35	Spring	1	1	
9	39 0807 08	Pin Snap	2	2	
10	39 0708 15	Nut Hex.	2	2	



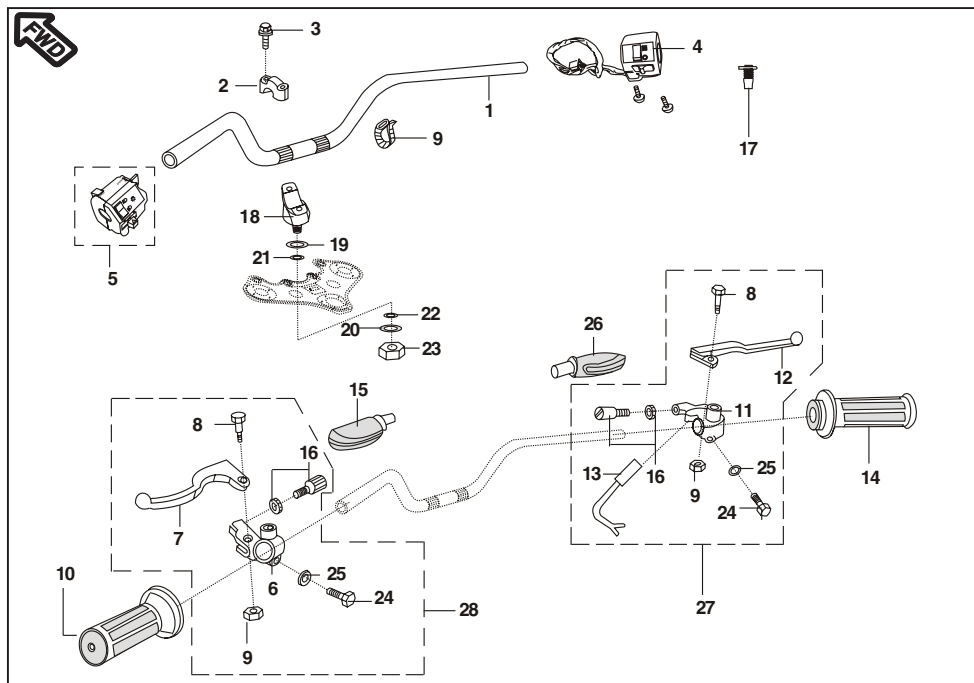
No.	Part No.	Description	Qty/Veh.		Remarks
			CT100 RHL	CT100 THL	
11	39 0789 12	Washer Spring	2	2	
12	30 1910 37	Pin	1	1	
13	30 1910 36	Brake adjusting nut	1	1	
14	30 1510 95	Bolt	2	2	
15	DF 1510 16	Torque rod	1	1	
16	DD 1610 78	Damper	1	1	



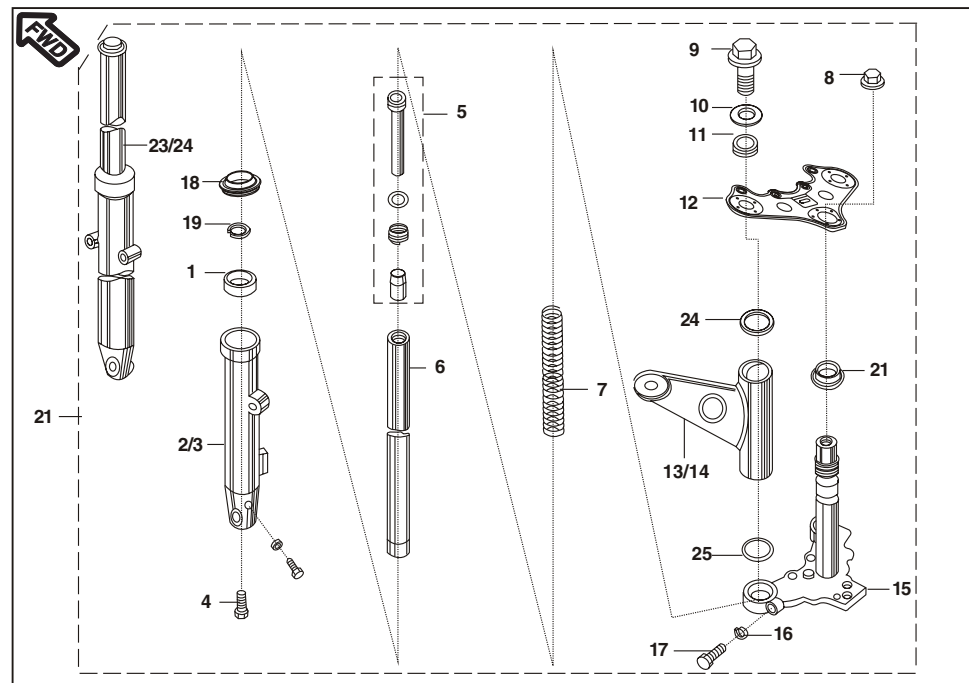
No.	Part No.	Description	Qty/Veh.		Remarks
			CT100 RHL	CT100 THL	
1	DU 1810 21	Handle	1	1	
2	FD 1810 30	Holder Handle Upper	2	2	Upto Nov. 05
	DF 1811 17	Holder Handle Upper	2	2	w.e.f. Dec. 05
3	39 1074 04	Flanged Bolt	4	4	
4	DU 2010 18	Control Switch RH	1	1	Upto Nov. 05
	DF 2010 53	Control Switch RH	1	1	w.e.f. Dec. 05
5	DD 2011 55	Control Switch LH	1	1	Upto Nov. 05
	DU 1910 33	Control Switch LH	1	1	w.e.f. Dec. 05
6	DL 1910 12	Holder Left hand	1	1	
7	DL 1910 13	Lever grip - Left	1	1	Upto Nov. 05
	DU 1910 35	Lever grip - Left	1	1	w.e.f. Dec. 05
8	DL 1910 14	Stud Lever handle	2	2	
9	39 1184 15	Nyloc nut	2	2	
10	DU 1910 09	Grip - Left hand	1	1	Upto Nov. 05
	DF 1910 26	Grip - Left hand	1	1	w.e.f. Dec. 05
11	DD 1911 41	Holder Right hand	1	1	Upto Nov. 05
	DF 2010 53	Holder Right hand	1	1	w.e.f. Dec. 05



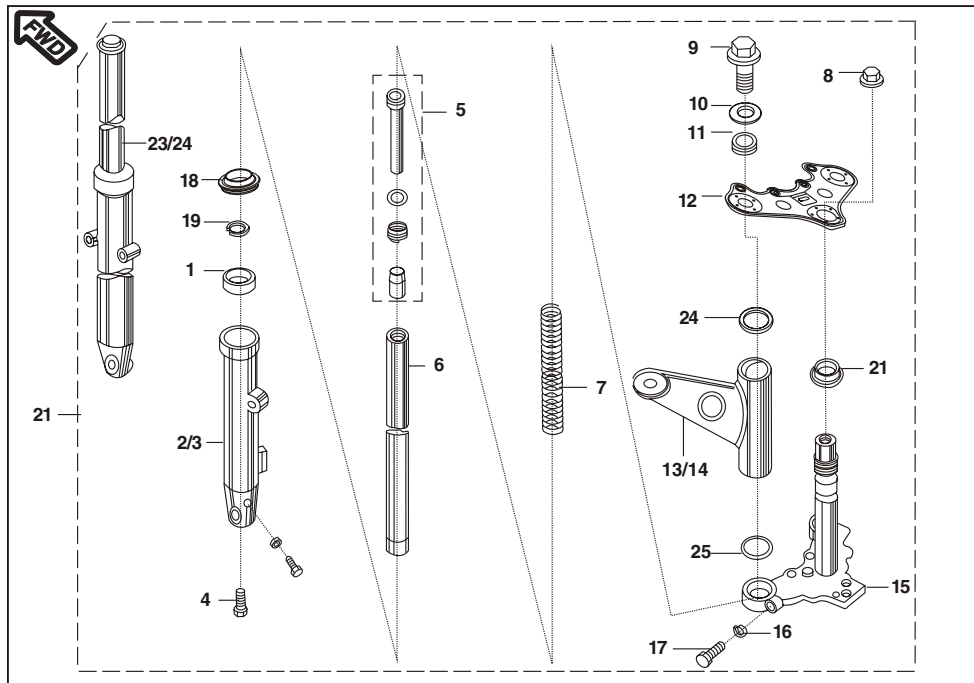
No.	Part No.	Description	Qty/Veh.		Remarks
			CT100 RHL	CT100 THL	
12	DD 1911 42	Lever grip - Right	1	1	Upto Nov. 05
	DF 1910 66	Lever grip - Right	1	1	w.e.f. Dec. 05
13	DD 2011 70	Front brake switch	1	1	
14	DU 1910 03	Grip assly RH	1	1	Upto Nov. 05
	DF 1910 27	Grip assly RH	1	1	w.e.f. Dec. 05
15	DD 1911 44	Boot For Lever LH	1	1	Upto Nov. 05
	DM 1910 14	Boot For Lever LH	1	1	w.e.f. Dec. 05
16	36 DU19 01	Cable Adjuster kit	1	1	Ref. Page No.63
17	DU 2010 46	Plunger with Spring	1	1	
18	FD 1810 31	Holder Handle Lower	2	2	
19	DF 1810 91	Damper Handle Upper	2	2	
20	DF 1810 92	Damper Handle Lower	2	2	
21	FD 1810 19	Washer Plain Upper	2	2	
22	FD 1810 20	Washer Plain Lower	2	2	
23	39 0422 15	Nylock Nut	2	2	
24	39 0725 04	Hex.Bolt	2	2	
25	39 0198 11	Plain Washer	2	2	



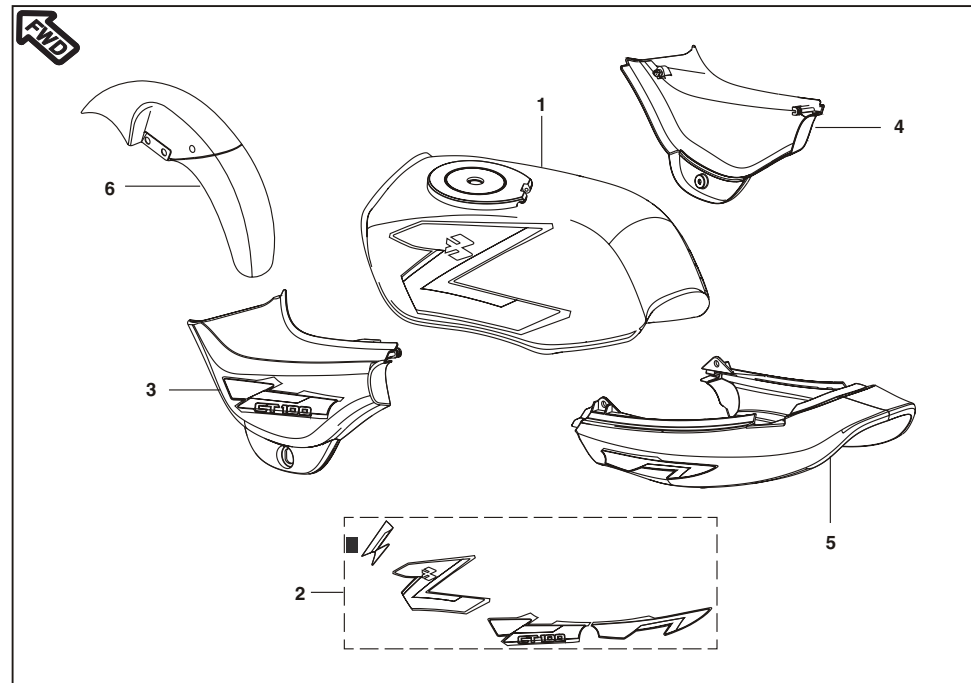
No.	Part No.	Description	Qty/Veh.		Remarks
			CT100 RHL	CT100 THL	
26	DD 1911 43	Boot For Lever RH	1	1	Upto Nov. 05
	DM 1910 15	Boot For Lever RH	--	1	w.e.f. Dec. 05
27	DD 1911 40	Lever Assly. grip RH	1	1	Upto Nov. 05
	DU 1910 31	Lever Assly. grip RH	--	1	w.e.f. Dec. 05
28	DD 1911 48	Lever Assly. grip LH	1	1	Upto Nov. 05
	DU 1910 33	Lever Assly. grip LH	--	1	w.e.f. Dec. 05



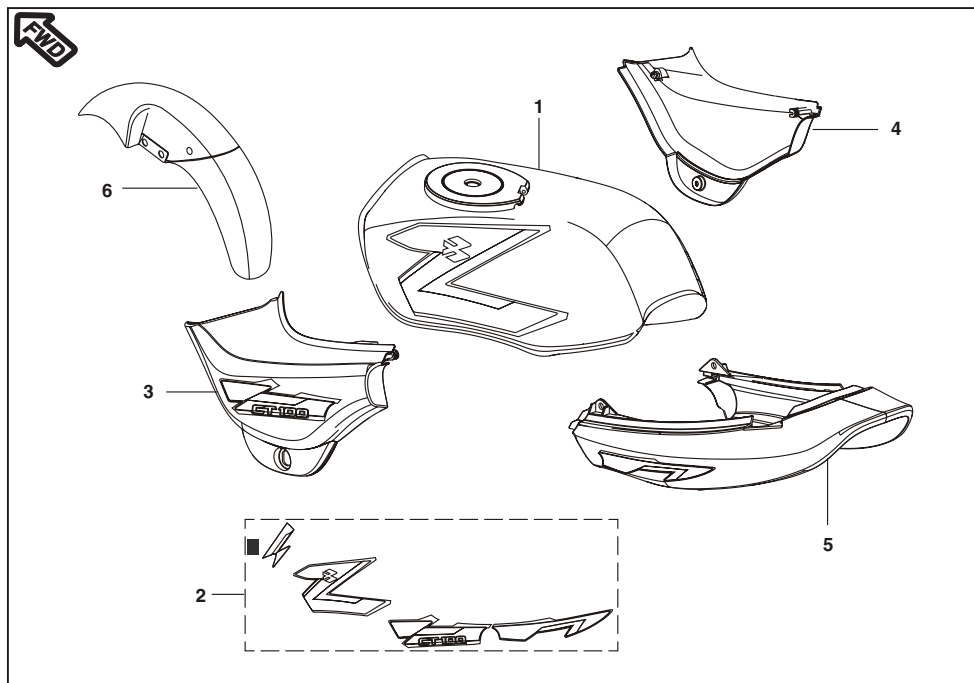
No.	Part No.	Description	Qty/Veh.		Remarks
			CT100 RHL	CT100 THL	
1	DL 1810 80	Seal Oil	1	1	
2	DD 1810 31	Pipe Left Fork Outer	1	1	
3	DD 1810 34	Pipe Right Fork Outer	1	1	
4	31 1811 06	Bolt	2	2	
5	31 1810 15	Cyl. Complete Fork	2	2	
6	DD 1810 29	Pipe Comp. Susp. Inner	2	2	
	DM 1810 36	Pipe Comp. Susp. Inner	2	2	For SNS
7	31 1810 99	Spring Front Fork	2	2	
	DE 1810 31	Spring Front Fork	2	2	For SNS
8	FD 1810 12	Cap Special Nut	1	1	
9	31 1811 20	Bolt Fork	2	2	
10	30 1810 29	Ring 'O'	2	2	
11	DF 1810 85	Seat Fork Spring	2	2	
12	DD 1812 05	Holder Fork Upper	1	1	
13	DM 1810 39	Cover Fork RH	1	--	
14	DM 1810 38	Cover Fork LH	1	--	



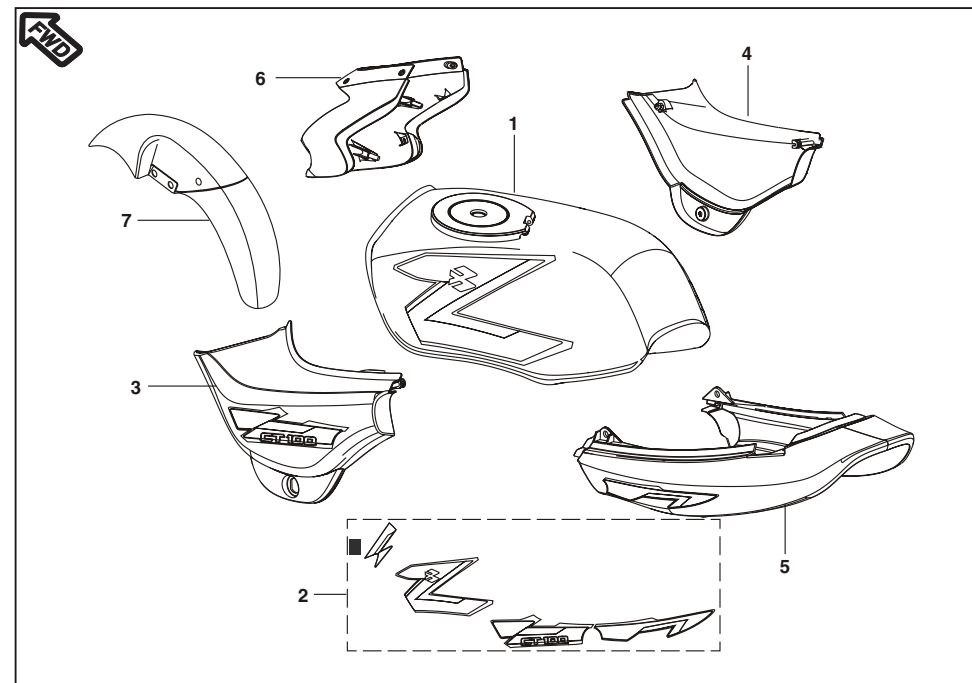
No.	Part No.	Description	Qty/Veh.		Remarks
			CT100 RHL	CT100 THL	
15	DD 1812 07	Holder Fork Under	1	1	
16	39 0789 12	Washer Spring	2	2	
17	39 1813 04	Bolt Hex.	2	2	
18	DD 1810 32	Dust seal	2	2	
19	30 1810 23	Ring snap	2	2	
20	DU 1810 48	Front Fork	1	--	
	DU 1810 67	Front Fork	--	1	
	DU 1810 50	Front Fork	--	1	For SNS
21	36 3140 01	Bearing cone Kit	1	1	Ref. page No. 63
22	DM 1810 29	Damper Assly.LH	1	1	For SNS
23	DM 1810 30	Damper Assly.RH	1	1	For SNS
24	DD 1810 91	Cover Trail Top	2	--	
25	DD 1810 90	Cover Trail Bottom	2	--	
26	36 DZ00 20	Front Fork Oil Seal Kit	1	1	Ref. Page No. 63 N.I.



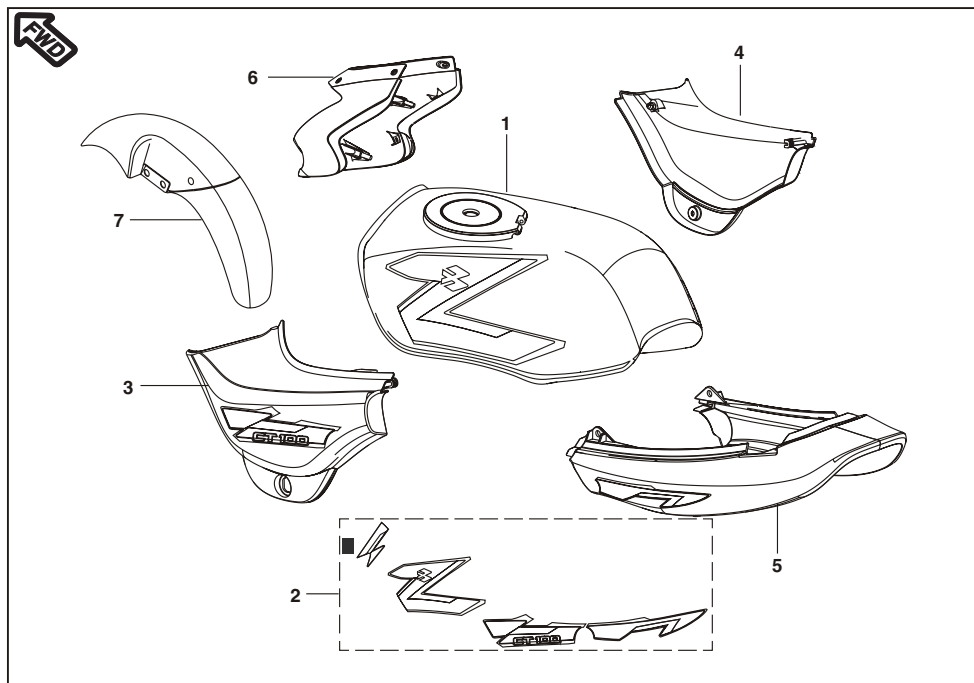
No.	Part No.	Description	Qty/Veh.		Remarks
			CT100 RHL	CT100 THL	
1	DU 7101 22	Tank fuel with Decal	1	--	Jet Black
	DU 7101 X4	Tank fuel with Decal	1	--	Flame Red
	DU 7101 Y7	Tank fuel with Decal	1	--	Star Blue
2	36 DF14 44	Decal Set	1	--	Jet Black
	36 DF14 45	Decal Set	1	--	Flame Red Ref. Page 64
	36 DF14 46	Decal Set	1	--	Star Blue Ref. Page 64
3	DU 7301 3L	Cover Side LH with Decal	1	--	Jet Black
	DU 7308 X4	Cover Side LH with Decal	1	--	Flame Red
	DU 7305 Y7	Cover Side LH with Decal	1	--	Star Blue



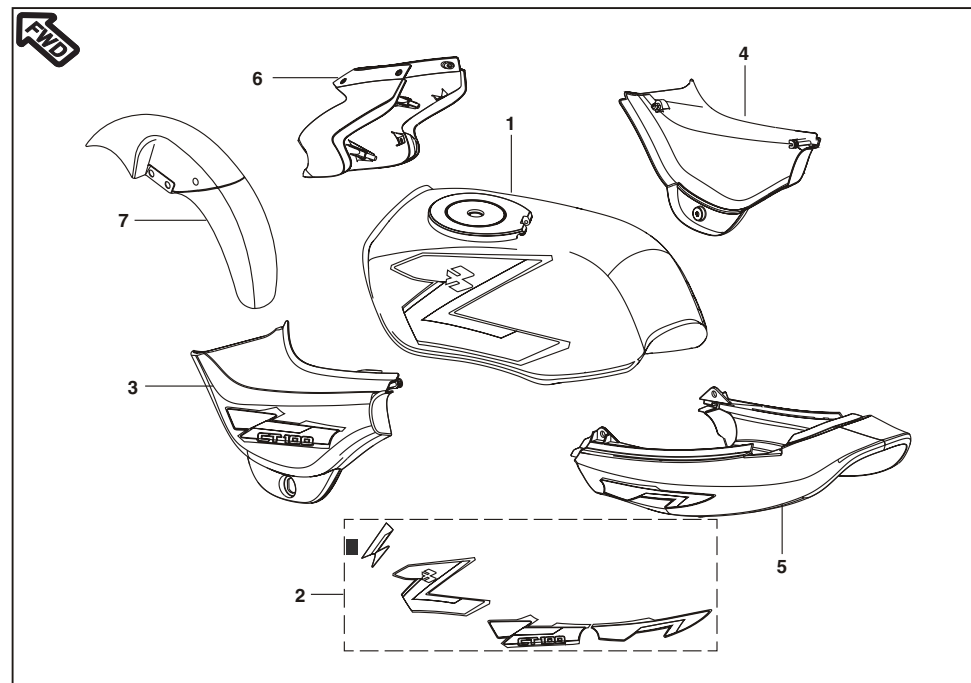
No.	Part No.	Description	Qty/Veh.		Remarks
			CT100 RHL	CT100 THL	
3	DU 7306 22	Cover Side RH with Decal	1	--	Jet Black
	DU 7306 X4	Cover Side RH with Decal	1	--	Flame Red
	DU 7306 Y7	Cover Side RH with Decal	1	--	Star Blue
4	DU 7303 3L	Cover Seat with Decal	1	--	Jet Black
	DU 7303 X4	Cover Seat with Decal	1	--	Flame Red
	DU 7303 Y7	Cover Seat with Decal	1	--	Star Blue
5	52 DU02 89	Fender Front	1	--	Jet Black
	DD 1613 69	Fender Front	1	--	Flame Red
	DD 7301 Y7	Fender Front	1	--	Star Blue



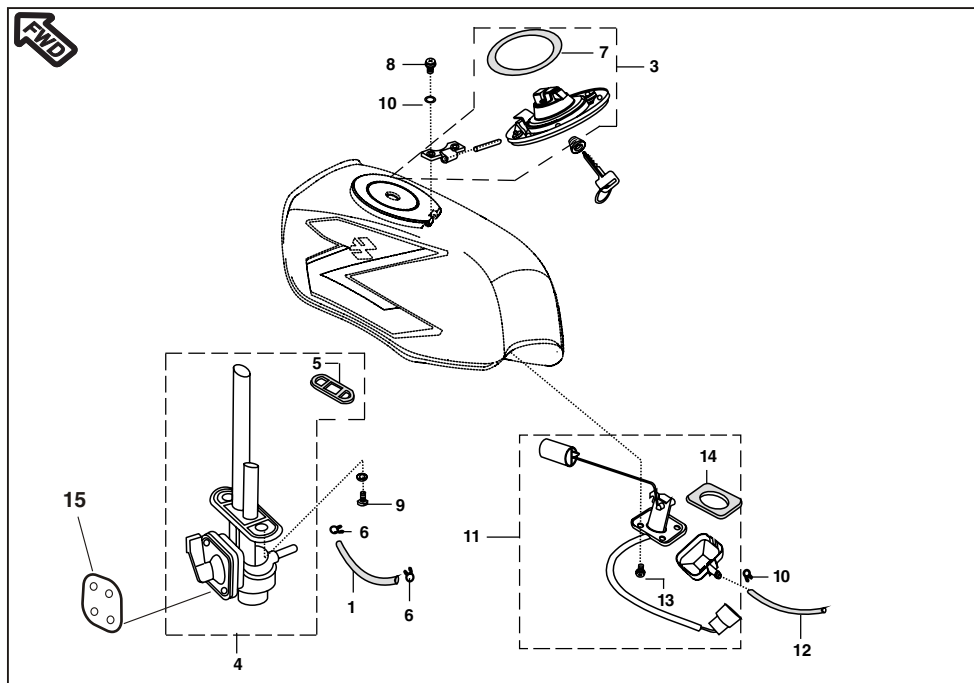
No.	Part No.	Description	Qty/Veh.		Remarks
			CT100 RHL	CT100 THL	
1	DU 7105 Y7	Fuel Tank Start Blue with Decal	-	1	(W/o Fuel Gauge)
	DU 7105 X4	Fuel Tank Flame Red with Decal	-	1	(W/o Fuel Gauge)
	DU 7101 3J	Fuel Tank Jet Black Red Decal	-	1	(W/o Fuel Gauge)
	DU 7101 3H	Fuel Tank Jet Black Blue Decal	-	1	(W/o Fuel Gauge)
	DU 7101 3L	Fuel Tank Jet Black Grey Decal	-	1	(W/o Fuel Gauge)
2	36 DU40 15	Decal Set	--	1	Star Blue
	36 DU40 14	Decal Set	--	1	Flame Red
	36 DU40 11	Decal Set	--	1	Jet Black Red Decal
	36 DU40 12	Decal Set	--	1	Jet Black Blue Decal
	36 DU40 13	Decal Set	--	1	Jet Black Grey Decal



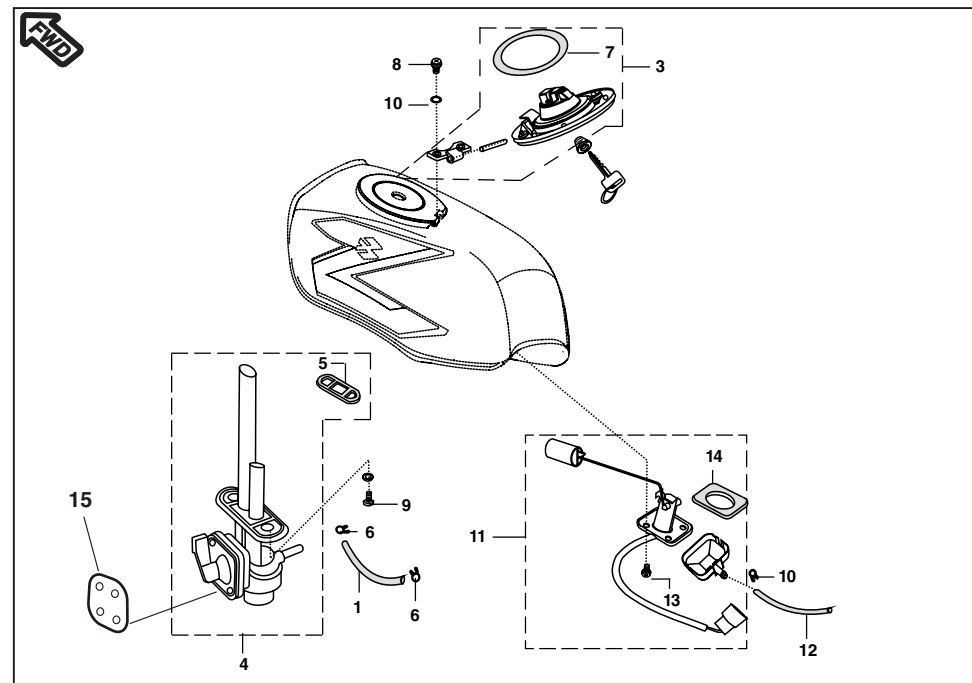
No.	Part No.	Description	Qty/Veh.		Remarks
			CT100 RHL	CT100 THL	
3	DU 7308 Y7	Side Cover LH with Decal	-	1	Star Blue
	DU 7308 X4	Side Cover LH with Decal	-	1	Flame Red
	DU 7301 3J	Side Cover LH with Decal	-	1	Jet Black Red Decal
	DU 7301 3H	Side Cover LH with Decal	-	1	Jet Black Blue Decal
	DU 7301 3L	Side Cover LH with Decal	-	1	Jet Black Grey Decal
4	DU 7309 Y7	Side Cover RH with Decal	-	1	Star Blue
	DU 7309 X4	Side Cover RH with Decal	-	1	Flame Red
	DU 7302 3J	Side Cover RH with Decal	-	1	Jet Black Red Decal
	DU 7302 3H	Side Cover RH with Decal	-	1	Jet Black Blue Decal
	DU 7302 3L	Side Cover RH with Decal	-	1	Jet Black Grey Decal
5	DU 7310 Y7	Seat Cowl with Decal	-	1	Star Blue
	DU 7310 X4	Seat Cowl with Decal	-	1	Flame Red
	DU 7303 3J	Seat Cowl with Decal	-	1	Jet Black Red Decal
	DU 7303 3H	Seat Cowl with Decal	-	1	Jet Black Blue Decal
	DU 7303 3L	Seat Cowl with Decal	-	1	Jet Black Grey Decal



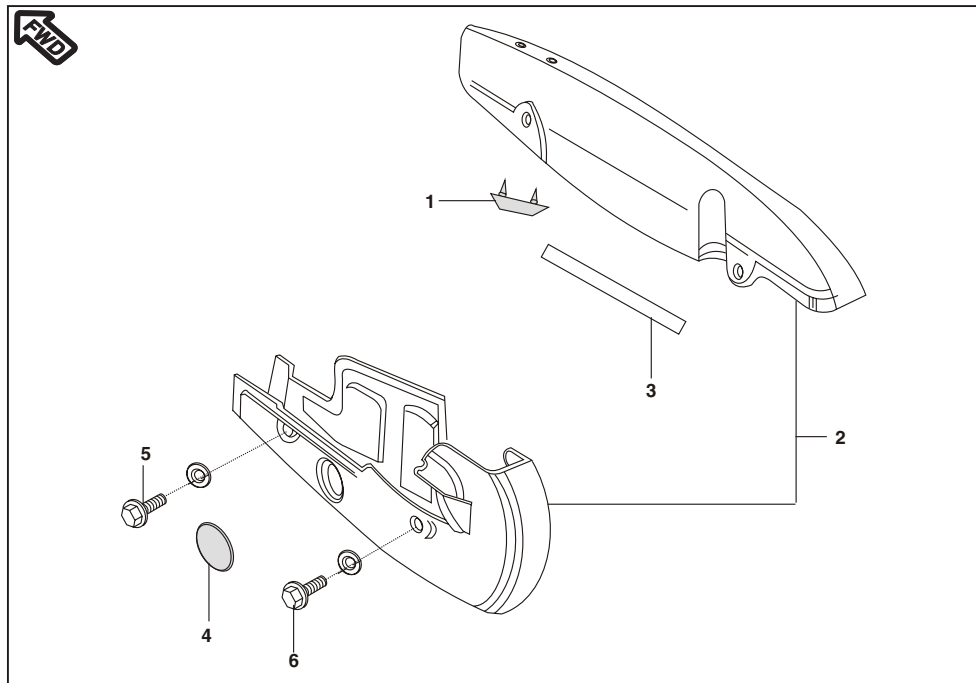
No.	Part No.	Description	Qty/Veh.		Remarks
			CT100 RHL	CT100 THL	
6	DU 7402 Y7	Fairing with Decal	-	1	Star Blue
	DU 7402 X4	Fairing with Decal	-	1	Flame Red
	DU 7401 3J	Fairing with Decal	-	1	Jet Black Red Decal
	DU 7401 3H	Fairing with Decal	-	1	Jet Black Blue Decal
	DU 7401 3L	Fairing with Decal	-	1	Jet Black Grey Decal
7	52 DU02 91	Fender	-	1	Star Blue
	52 DU02 90	Fender	-	1	Flame Red
	52 DU02 89	Fender	-	1	Jet Black Red Decal
	52 DU02 89	Fender	-	1	Jet Black Blue Decal
	52 DU02 89	Fender	-	1	Jet Black Grey Decal



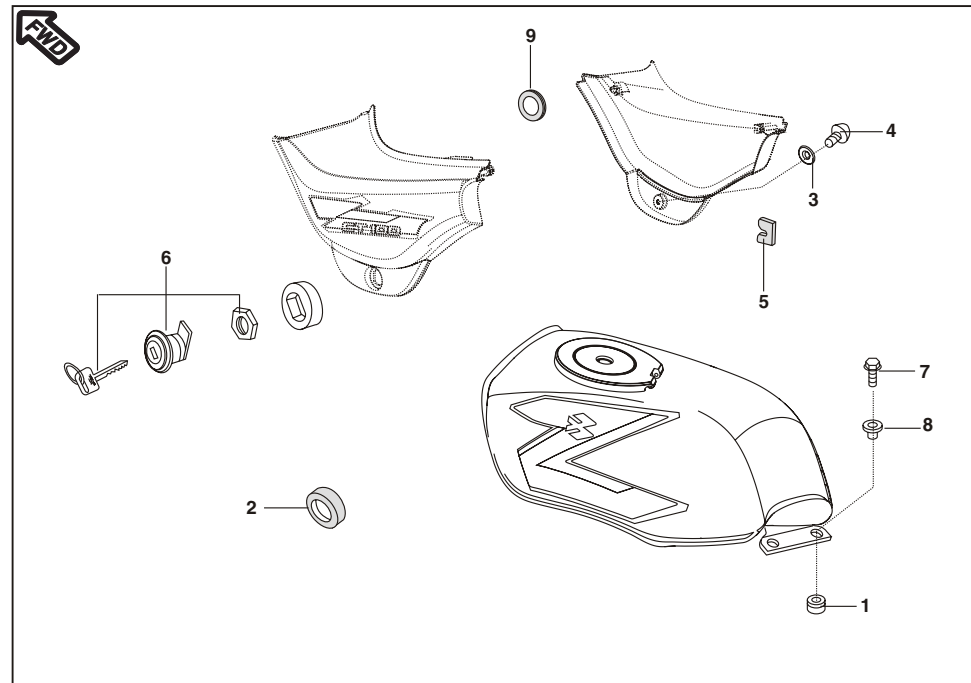
No.	Part No.	Description	Qty/Veh.		Remarks
			CT100 RHL	CT100 THL	
1	DU 1410 41	Tube Fuel	1	1	
2	DU 1810 32	Lock Assly. 3 IN 1	1	--	(N.I.)
	DU 1810 28	Lock Assly. 3 IN 1	--	1	(N.I.)
	DF 1810 43	Lock Assly. 3 IN 1	1	--	Applicable only for Squre Shaped cap
3	DU 1410 61	Cap Assly. Tank	1	1	
4	DU 1412 28	Tap Assly.	1	1	
5	30 1410 39	Packing For Tap	1	1	
6	DD 1410 16	Clamp Tube	2	2	
7	30 1410 52	Packing (For Cap)	1	1	
8	39 0761 01	Screw Pan Cross	2	2	
9	DD 1412 27	Bolt Flanged	2	2	
10	30 1410 31	O Ring	2	2	



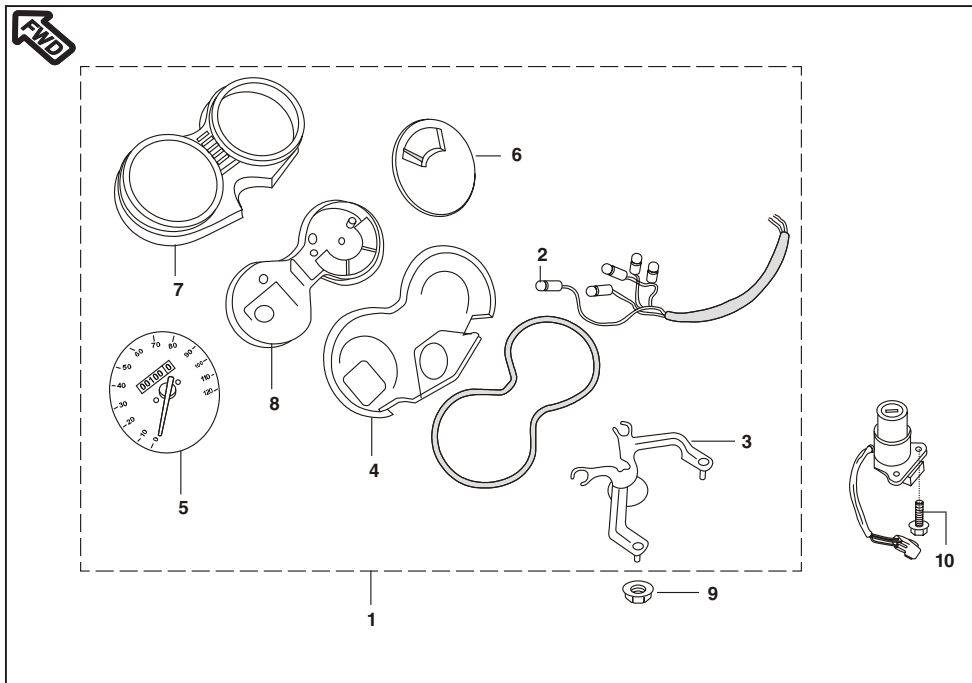
No.	Part No.	Description	Qty/Veh.		Remarks
			CT100 RHL	CT100 THL	
11	DD 2011 68	Gauge Fuel	1	1	
	DU 2010 70	Gauge Fuel	1	1	For 4 Stud Mtg.
12	DU 1410 25	Tube Rubber	1	1	
13	30 1410 32	Bolt	4	4	
14	DU 2010 70	Gasket For Gauge Fuel	1	1	
15	DZ 1410 75	Gasket 4 hole	1	1	



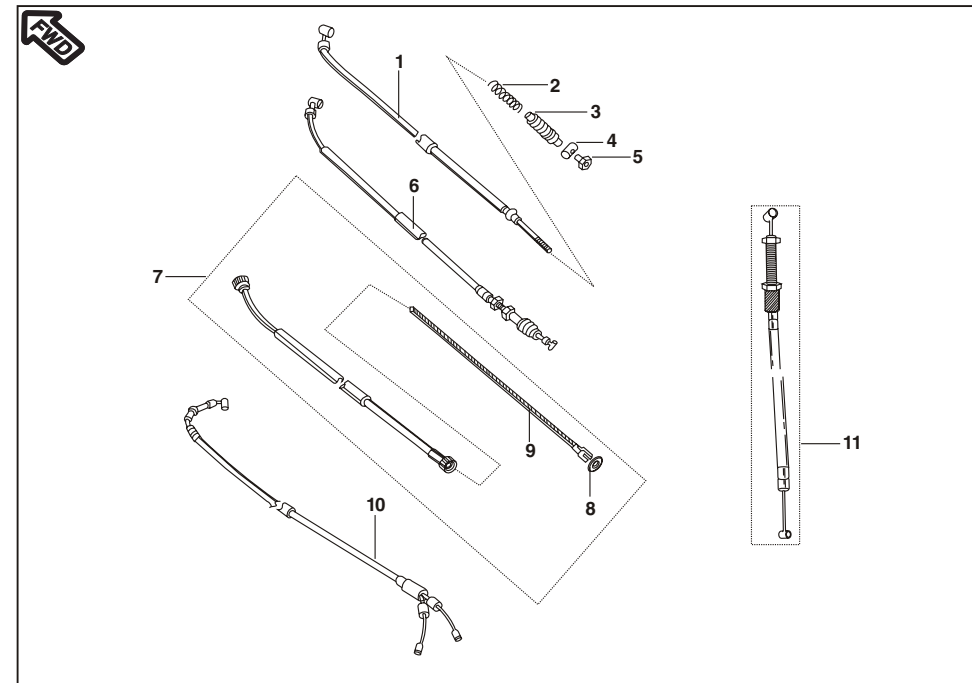
No.	Part No.	Description	Qty/Veh.		Remarks
			CT100 RHL	CT100 THL	
1	30 16 1271	Rubber Pad	1	1	
2	36 DU40 04	Case Chain Kit	1	1	
3	DF 1614 15	Trim case chain	1	1	
4	DF1614 16	Rubber Cap	1	1	
5	39 2475 04	Flanged Bolt	2	2	
6	39 2473 04	Flanged Bolt	2	2	



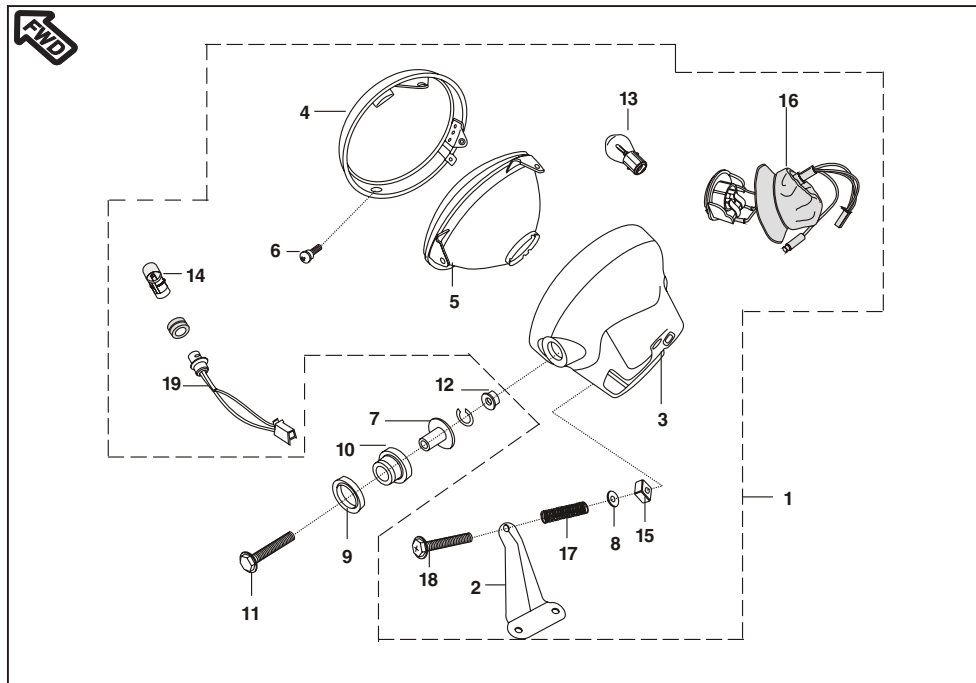
No.	Part No.	Description	Qty/Veh.		Remarks
			CT100 RHL	CT100 THL	
1	DG 1410 19	Damper	2	2	
2	30 1611 69	Damper side cover mtg.	2	2	
3	39 1789 24	Washer Nylon	1	1	
4	DG 1611 21	Screw	1	1	
5	31 1610 18	Damper	1	1	
6	DU 1810 32	Lock set assly (3 in 1)	1	1	N.I.
7	39 1553 04	Flange Bolt	2	2	
8	DU 1410 27	Collar Assly.	2	2	
9	DD 1610 22	Damper - cover side	2	2	



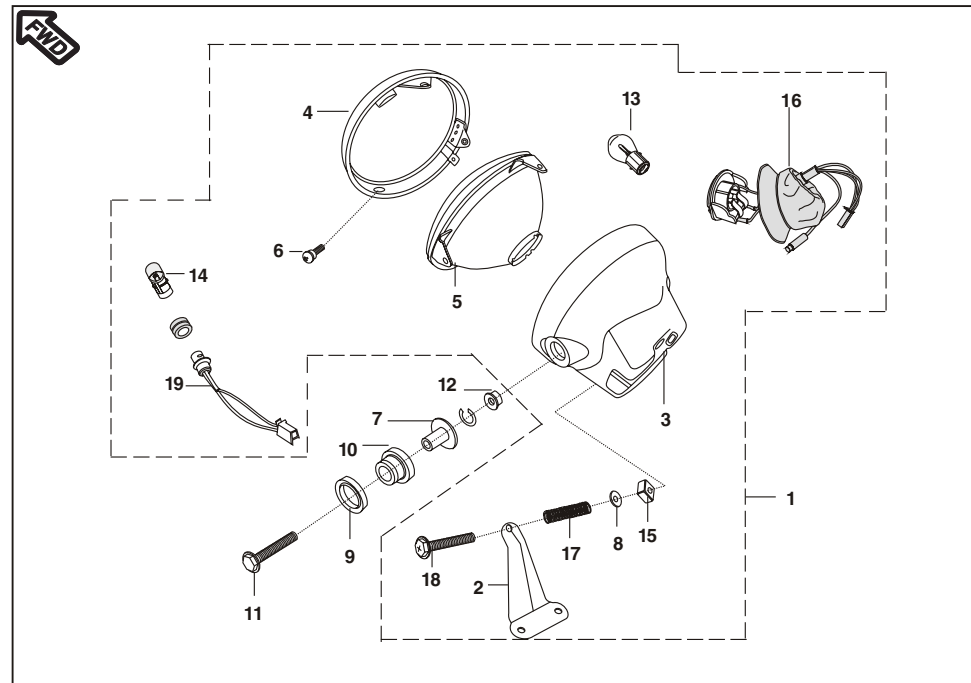
No.	Part No.	Description	Qty/Veh.		Remarks
			CT100 RHL	CT100 THL	
1	DU 1910 01	Meter Assly/ Lamp	1	--	Upto Nov. 05
	DU 1910 14	Meter Assly/ Lamp	--	1	Upto Nov. 05
	DM 1910 09	Meter Assly/ Lamp	--	1	w.e.f. Dec. 05
2	DH 1910 37	Lamp 12V 3W (W/O Cap)	5	5	
3	DU 1910 21	Bracket Speedo Mtg.	1	--	Pricol make
	DU 1910 27	Bracket Speedo Mtg.	1	--	
	DU 1910 28	Bracket Speedo Mtg.	--	1	
	DU 1910 29	Bracket Speedo Mtg.	--	1	
	DU 1910 23	Cover Meter Lower Black	1	1	
4	DU 1910 19	Speedometer	1	1	Pricol make
	DU 1910 25	Speedometer	1	1	
6	DU 1910 20	Meter Fuel	1	1	Pricol make
	DU 1910 26	Meter Fuel	1	1	
7	DU 1910 16	Cover case upper	1	1	Pricol make
	DU 1910 22	Cover case upper	1	1	
8	DU 1910 24	Cover (white) W/o Support Plate	1	1	Pricol make
9	39 0798 15	Hex. Nut / Flange	2	2	
10	39 1943 04	Bolt Flanged	2	2	
11	DU 1810 23	Spacer	2	--	N.I.



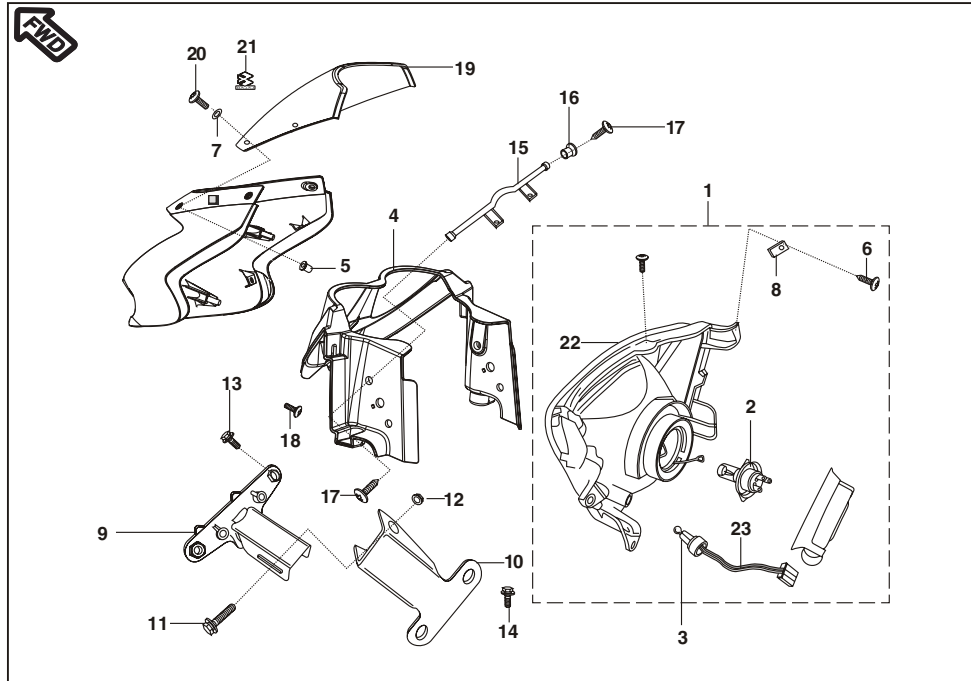
No.	Part No.	Description	Qty/Veh.		Remarks
			CT100 RHL	CT100 THL	
1	DU 1910 08	Cable Brake (FR)	1	1	Upto Nov. 05
	DM 1910 11	Cable Brake (FR)	1	1	
2	30 19 1070	Spring	1	1	
3	30 19 1069	Dust Seal	1	1	
4	30 19 1071	Rod End	1	1	
5	30 19 1072	Adjusting Nut	1	1	
6	DU 1910 06	Cable Clutch	1	1	Upto Nov. 05
	DM 1910 17	Cable Clutch	1	1	
7	DU 1910 13	Cable Speedometer	1	1	Upto Aug. 06
8	DZ 1910 14	Cable Speedometer	1	1	w.e.f. Sep. 06
	30 1910 67	Oil Seal	1	1	
9	31 1910 04	Inner Cable Speedo	1	1	Upto Aug. 06
	DZ 1910 19	Inner Cable Speedo	1	1	
10	DU 1910 05	Cable Throttle	1	1	Upto Nov. 05
	DM 1910 05	Cable Throttle	1	1	
11	DD 1911 25	Cable starter	1	1	Upto Nov. 05
	DM 1910 02	Cable starter	1	1	
12	36 DZ00 22	Speedometer Inner Cable Kit	1	1	w.e.f. Sep. 06 Refer Page. No. 65



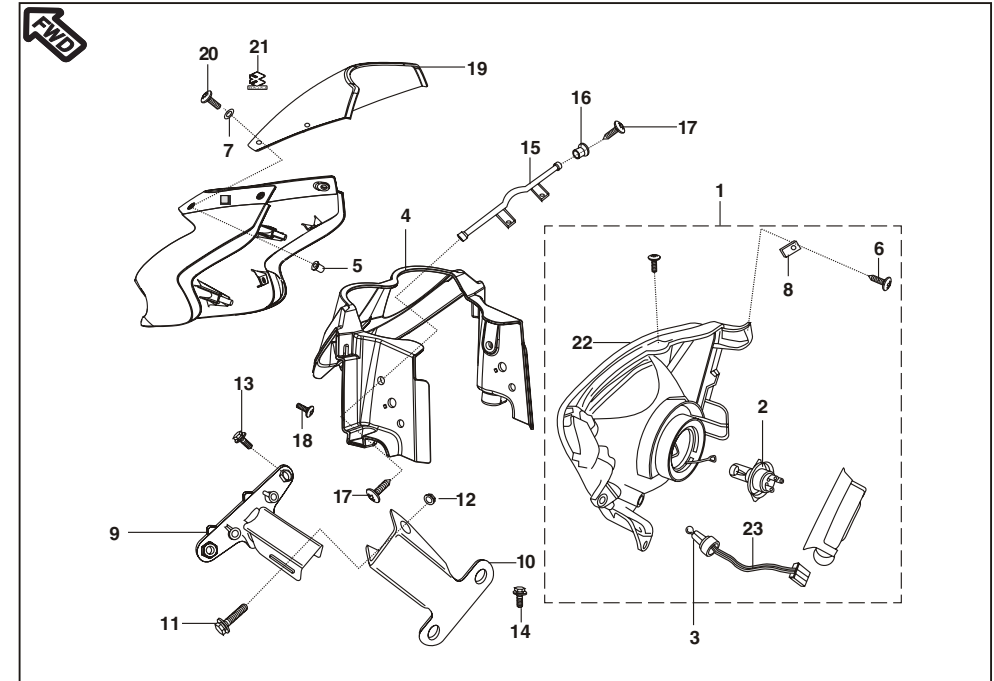
No.	Part No.	Description	Qty/Veh.		Remarks
			CT100 RHL	CT100 THL	
1	DU 2010 64	Head light assly with lamp	1	--	
	DU 2010 26	Head light assly with pilot lamp	1	--	
	DU 2011 02	Head light assly w/o pilot lamp	1	--	
2	DD 2010 17	Bracket Head Light	1	--	
3	DU 2010 57	Head Light Housing	1	--	
4	DJ 2010 46	Head Light Rim	1	--	
5	DJ 2010 51	Reflector with Lens	1	--	
6	DU 2010 29	Special Screw	2	--	
7	DU 2010 60	Collar	2	--	
8	DD 2010 47	Washer	1	--	
9	DD 2010 10	Damper	2	--	
10	DD 2010 09	Damper	2	--	
11	39 1683 04	Flange Bolt	2	--	
12	39 2479 15	Flange Nut	2	--	
13	25 2010 09	Lamp 12 V 35/35 W	1	--	
14	DH 1910 37	Lamp 12 V 3W	1	--	



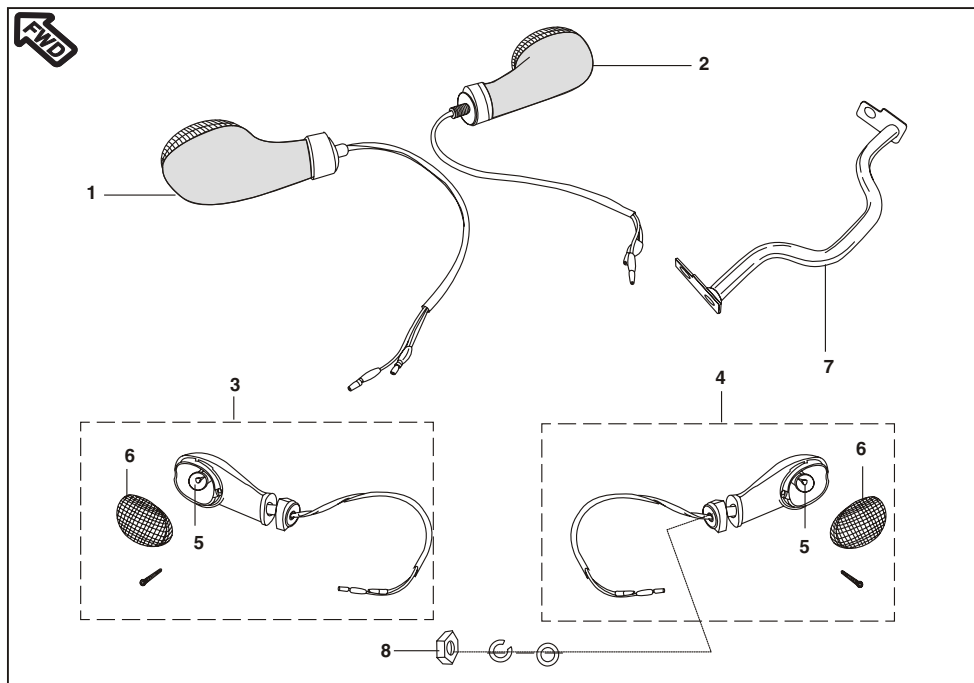
No.	Part No.	Description	Qty/Veh.		Remarks
			CT100 RHL	CT100 THL	
15	DD 2010 48	Nut (Nylon)	1	--	
16	DU 2010 28	Lamp Holder (Socket) Assly.	1	--	
17	DD 2010 46	Spring for Adjustment	1	--	
18	DD 2010 45	Screw	1	--	
19	DU 2010 28	Cable	1	--	



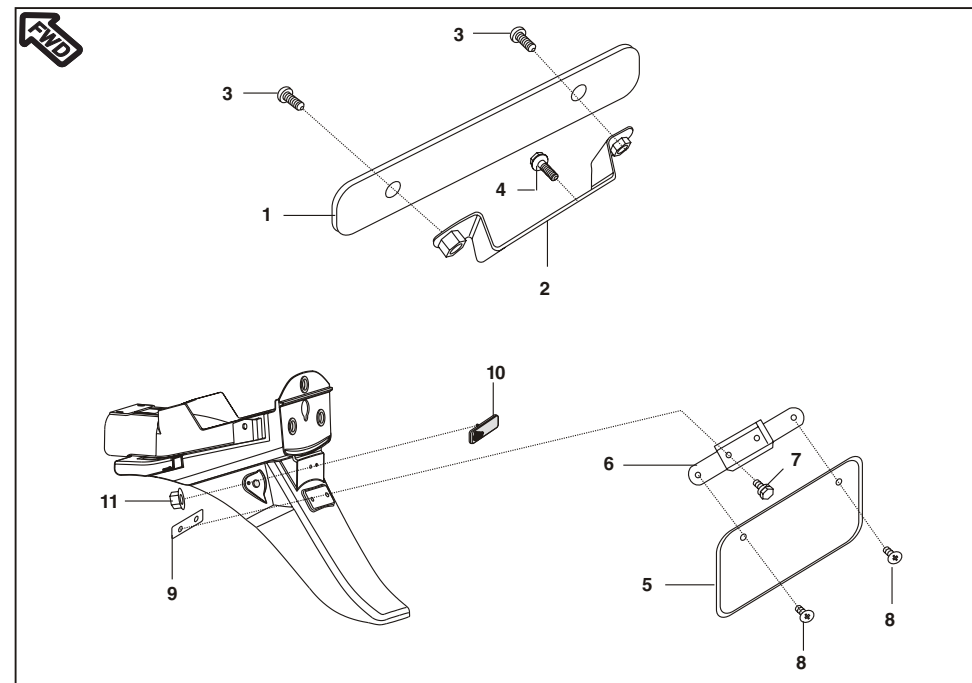
No.	Part No.	Description	Qty/Veh.		Remarks
			CT100 RHL	CT100 THL	
1	DU 2011 01	Head Light Assy./Lamp	--	1	w/o pilot lamp
2	CL 2010 23	Lamp 12V-35/35W	--	1	
3	30 2010 29	Lamp 12V-4W	--	1	
4	DU 1810 29	Flap Cowling	--	1	Upto Nov. 05
	DU 1810 70	Flap Cowling	--	1	w.e.f. Dec. 05
5	DL 1810 10	Nut Well	--	4	
6	39 2587 01	Screw SS	--	5	
7	39 2141 24	Washer (Non metallic)	--	9	
8	35 1610 60	Clip Nut	--	5	
9	DD 1811 83	Bracket Cowling Lower	--	1	
10	DD 1811 84	Bracket Fork Lower	--	1	



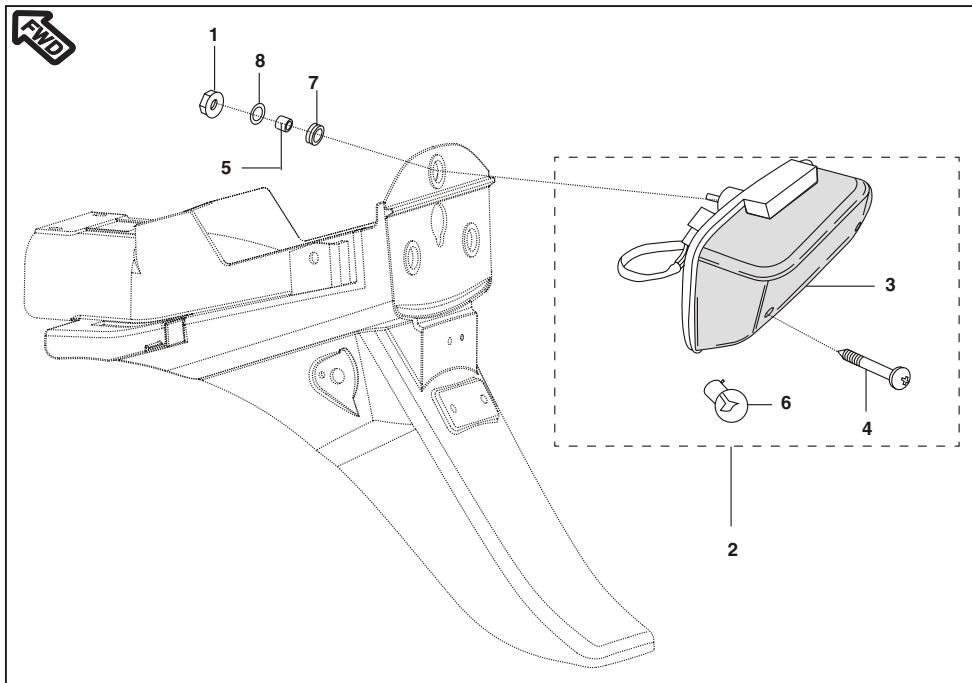
No.	Part No.	Description	Qty/Veh.		Remarks
			CT100 RHL	CT100 THL	
11	39 1961 04	Bolt Flanged Small	--	1	
12	39 0817 15	Hex. Nut / Flange	--	1	
13	39 0745 01	Screw Pan Cross	--	2	
14	39 2473 04	Hex. Bolt / Flange	--	2	
15	DU 1810 47	Bracket Cowling Upper	--	1	Pricol
	DD 1811 85	Bracket Cowling Upper	--	1	VDO
16	DD 1811 86	Collar	--	2	
17	39 2585 01	Screw	--	2	
18	39 0813 02	Cross Rec. Pan Hd. Tp Screw	--	4	
19	DU 1810 31	Wind Shield/Label	--	1	
20	DF1810 98	Screw SS	--	4	
21	DD 1812 52	Label "BAJAJ"	--	1	
22	DU 2010 83	H/L. Lens	--	1	Rinder
	DU 2010 47	H/L. Lens	--	1	Lumax
23	DU 2010 84	Cable	--	1	Rinder
	DU 2010 88	Cable	--	1	Lumax



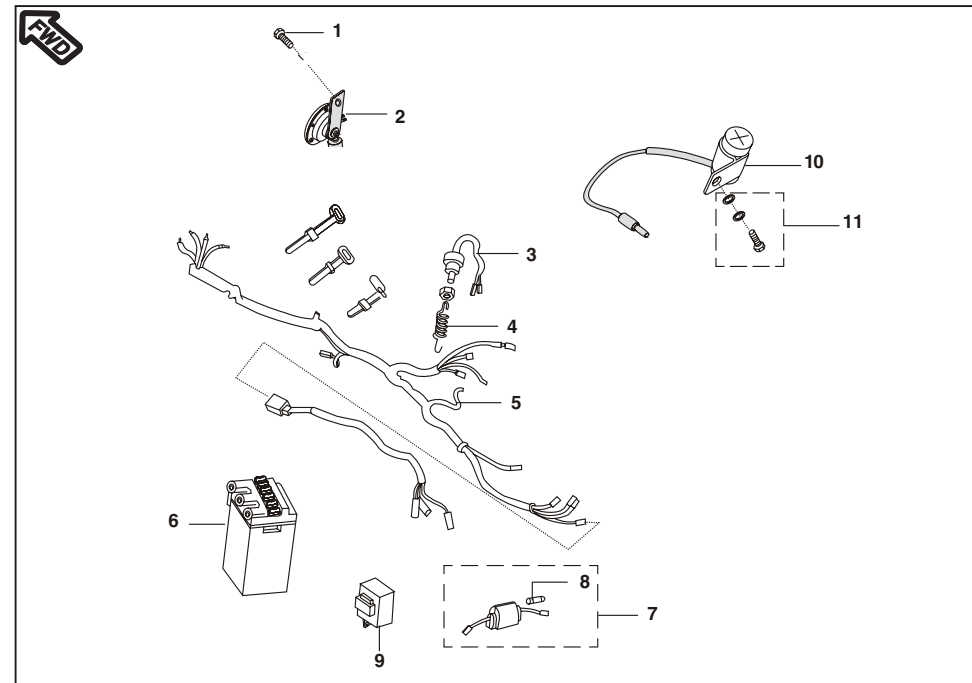
No.	Part No.	Description	Qty/Veh.		Remarks
			CT100 RHL	CT100 THL	
1	DZ 2010 25	Dir. ind. Front LH with Lamp	1	--	w.e.f. Dec. 05
	DU 2010 52	Dir. ind. Front LH with Lamp	--	1	Upto Nov. 05
2	DZ 2010 26	Dir. ind. Front RH with Lamp	1	--	w.e.f. Dec. 05
	DU 2010 50	Dir. ind. Front RH with Lamp	--	1	Upto Nov. 05
3	DZ 2010 26	Dir. ind. Rear LH with Lamp	1	--	w.e.f. Dec. 05
	DU 2010 50	Dir. ind. Rear LH with Lamp	--	1	Upto Nov. 05
4	DZ 2010 25	Dir. ind. Rear RH with Lamp	1	--	w.e.f. Dec. 05
	DU 2010 52	Dir. ind. Rear RH with Lamp	--	1	Upto Nov. 05
5	06 2010 83	Lamp 12 V 10 W	4	4	
6	FD 2010 33	Lens	--	4	
	DU 2010 16	Lens	4	--	
7	DD 1811 92	Bracket Signal	--	1	
8	39 1225 15	Hex. Nut	4	4	
9	DU 2010 42	Adopter LH	--	1	N.I.
10	DU 2010 43	Adopter RH	--	1	N.I.



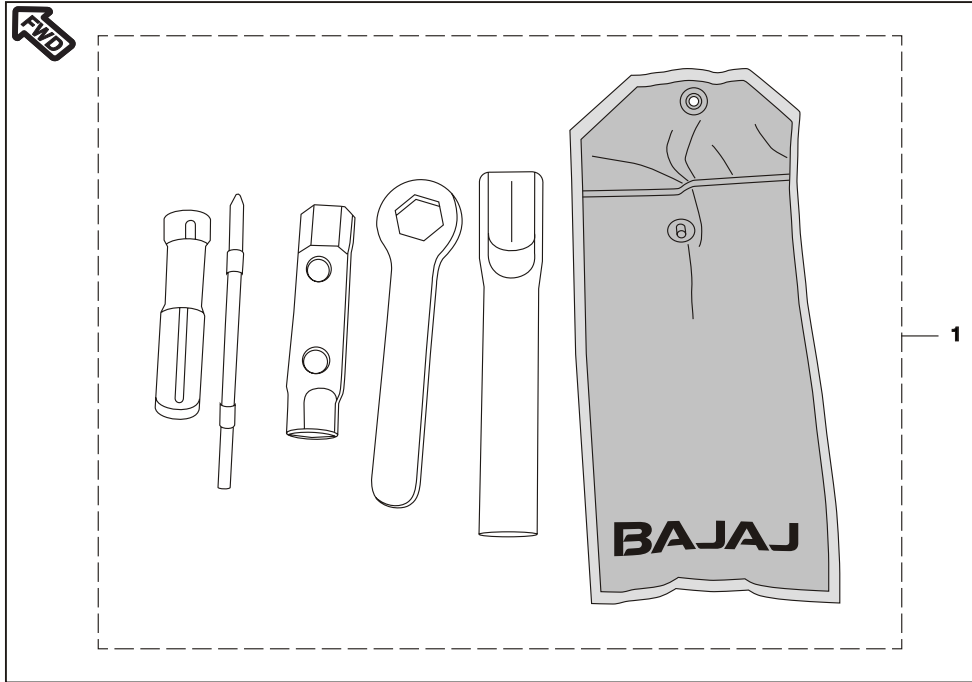
No.	Part No.	Description	Qty/Veh.		Remarks
			CT100 RHL	CT100 THL	
1	DP 1611 44	Front Number plate	1	1	
2	DD 1811 76	Bracket Front No. Plate	1	--	
	DD 1811 87	Bracket Front No. Plate	--	1	
3	39 1783 01	Truss Screw	2	2	
4	39 2473 04	Flanged bolt	2	2	
5	DP 1611 45	Number plate Rear	1	1	
6	DP 1611 01	Bracket No. Plate	1	1	
7	39 2483 04	Hex head bolt / Flange	2	2	
8	39 2475 04	Hex Bolt with Flange	2	2	
9	DP 1611 00	Bracket Fender Rear	1	1	
10	DD 2010 02	Reflector Reflex	1	1	
11	39 2484 15	Flanged Nut	1	1	



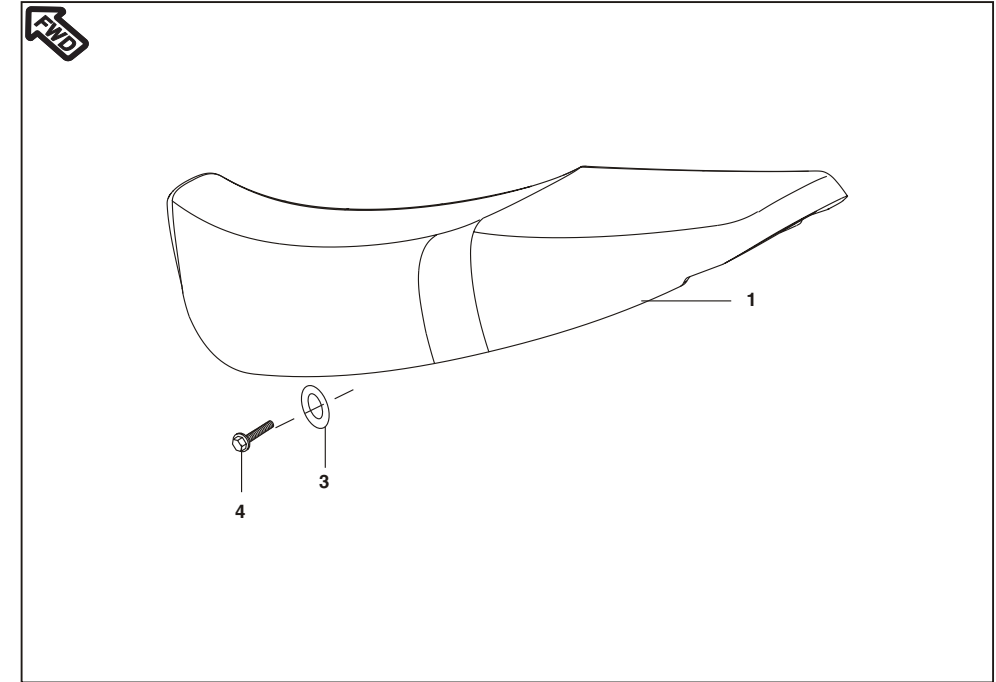
No.	Part No.	Description	Qty/Veh.		Remarks
			CT100 RHL	CT100 THL	
1	39 0817 15	Hex Nut / Flange	3	3	
2	DU 2010 23	Tail Light Assly. with lamp	1	1	
3	DU 2010 66	Lens Tail Light	1	1	
4	DD 2010 34	Screw For Lens	2	2	
5	31 2010 01	Collar	3	3	
6	20 2010 29	Lamp 12 V, 10/5W	1	1	
7	DD 2010 11	Damper	3	3	
8	39 0211 11	Plain Washer	3	3	



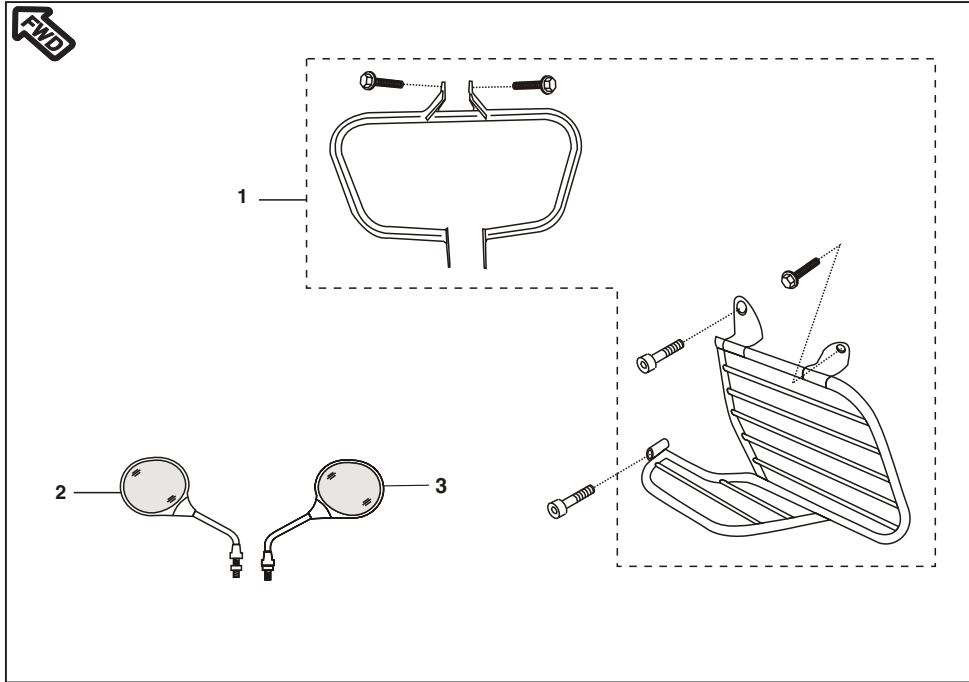
No.	Part No.	Description	Qty/Veh.		Remarks
			CT100 RHL	CT100 THL	
1	39 1940 04	Flanged Bolt	1	1	
2	JW 4016 00	Horn	1	1	
3	31 2010 79	Switch Rear Brake	1	1	
4	30 2010 74	Spring Brake Switch	1	1	
5	DU 2010 07	Wiring Harness	--	1	Upto Nov. 05
	DU 2010 61	Wiring Harness	1	--	Upto Nov. 05
	DU 2010 99	Wiring Harness	--	1	w.e.f. Dec. 05
6	31 2010 27	Battery	1	1	
7	DF 2011 29	Fuse - Assly.	1	1	
8	30 2010 85	Fuse, 15A	1	1	
9	31 2010 03	Relay assly.	1	1	
10	DD 2010 24	Capacitor Electrolytic	1	1	
11	39 2473 04	Hex Head Bolt / Flange	1	1	



No.	Part No.	Description	Qty/Veh.		Remarks
			CT100 RHL	CT100 THL	
1	DF 2210 45	Tool Kit	1	1	



No.	Part No.	Description	Qty/Veh.		Remarks
			CT100 RHL	CT100 THL	
1	DU 2110 01	Seat assly comp. with Damper	1	1	
2	DP 2110 09	Damper	9	9	N.I.
3	39 1211 11	Plain Washer	2	2	
4	39 1290 04	Hex. Bolt	2	2	



No.	Part No.	Description	Qty/Veh.		Remarks
			CT100 RHL	CT100 THL	
1	36 DU22 01	Leg / Saree guard kit	1	1	
	DU 2210 02	Sari Guard	1	1	
	DU 2210 03	Leg Guard	1	1	
2	DD 2210 07	Mirror LH	1	1	Upto Nov. 05 w.e.f. Dec. 05
	DF 2210 37	Mirror LH	1	1	
3	DD 2210 08	Mirror RH	1	1	Upto Nov. 05 w.e.f. Dec. 05
	DF 2210 07	Mirror RH	1	1	

Sr. No.	Kit Part No.	Kit Description	Consisting of Following Parts		
			Part No.	Description	Qty./Kit
1	36DU1001	O Ring Kit	39102021	O Ring	2
			39256921	O Ring	1
2	36311008	Collet Seal Oil Kit	31101019	Collet	4
			39103519	Oil Seal	2
			31101045	Seat Spring	2
3	36311028	Valve Kit	DD101134	Valve Intake	1
			DD101135	Valve Exhaust	1
4	36311006	Chain Guide Kit	31101026	Guide Chain RH	1
			31101025	Guide Chain LH	1
5	36DU1004	Gear Lever Spring Kit	31101055	Spring	1
			31101054	Spring	1
			DU101084	Spring	1
6	36DU1007	Boss Kick Kit	30101233	Boss Kick	1
			30101234	Spring	1
			30101236	Ball Steel	1
			30101235	Pin	1
			39085517	E - Type Circlip	1
7	36DU1201	Air Filter Kit	DM121007	O Ring for Air Filter	1
			DM121004	Cap	1
			01110609	Plain Washer	4
			39083001	Screw Pan cross	4
			DF161426	Bolt Steeped Flanged	2
8	36311803	Bearing Cone kit	30181007	Bearing Cone	1
			30181008	Bearing race	1
			30181074	Upper Bearing Race	1
			30181009	Bearing Cone	1
9	36DF1701	Rubber - Inner Bush Kit	30171030	Rubber Bush	4
			30171031	Inner Bush	4
10	36DZ1503	Gear Meter Screw Kit	DD151005	Speedo Gear (22T)	1
			30151041	Gear Meter Screw	1
			30151042	Washer	2
			30191067	Seal Oil	1
11	36DZ0020	Front Fork Oil Seal Kit	DL181080	Seal Oil	1
			DD181011	Seal Dust	1
12	36DU1506	Rear Wheel Bearing Kit	39268220	Ball Bearing (6301RS1/C3)	1
			39136420	Ball Bearing (6201RS1/C3)	1
13	36DU1901	Cable Adjuster Kit	30191017	Nut	2
			DD191147	Screw	2
14	36DU1202	Idling Screw Kit	DU121024	Screw Idling (Stop Screw)	1
			DD121176	Spring - Idling Screw	1
15	36DU1203	Air Control Screw Kit	DU121025	Screw - Air (Adjust)	1
			DD121178	Spring - Screw Air	1
16	36DU1204	Gasket O ring Kit for Carb.	DD121170	Gasket - Float Chamber	1
			DU121023	Gasket Top	1

Part Index



Part No.	Figure No.	Page No.
30191071	4	53
30191072	5	53
30201029	3	56
30201074	4	61
30201085	8	61
31101006	2	1
31101007	10	1
31101008	4	1
31101014	1	19
31101018	6	2
31101019	12	2
31101033	6	3
31101038	11	16
31101039	10	16
31101040	16	16
31101041	8	16
31101051	2	8
31101056	8	11
31101061	4	13
31101062	1	13
31101067	4	14
31101076	5	5
31101083	9	6
31101104	4	2
31101108	10	9
31101109	11	9
31101113	5	13
31101144	14	15
31101148	13	15
31101173	4	5

Part No.	Figure No.	Page No.
31101175	16	1
31101191	1	8
31101192	5	8
31101216	13	7
31101295	3	13
31111056	16	21
31111058	9	21
31121006	2	12
31121029	5	18
31121037	16	18
31151001	20	35
31151004	3	30
31151011	14	30
31151014	21	31
31151018	12	34
31151021	10	34
31151023	15	34
31151024	16	35
31151026	9	32
31151026	9	34
31151027	26	35
31151028	27	35
31151029	3	34
31151030	25	33
31151030	25	35
31151036	11	30
31151037	18	35
31151060	17	31
31151060	14	34
31161007	13	18

Part Index



Part No.	Figure No.	Page No.
31161018	5	51
31171001	11	24
31171006	7	24
31171012	16	25
31181015	5	41
31181099	7	41
31181106	4	41
31181120	9	41
31191002	2	22
31191004	9	53
31191016	3	36
31201001	5	60
31201003	9	61
31201027	6	61
31201079	3	
61		
31201081	9	11
35161060	8	56
36268620	7	32
36311006	1	3
36311006	17	5
36311008	8	2
36311028	9	2
36314001	5	22
36314001	21	42
39019811	2	19
39019811	2	36
39019811	25	39
39020111	8	24
39021111	8	60
39024811	2	10

Part No.	Figure No.	Page No.
39024811	6	24
39029215	14	24
39042215	5	26
39042215	23	39
39045411	17	25
39055302	18	25
39070201	5	2
9070201	7	11
39070311	10	11
39070815	10	36
39071111	13	24
39071111	6	27
39071215	1	24
39071411	3	24
39071411	21	35
39072504	24	39
39073212	3	19
39073712	2	24
39073817	14	16
39074501	14	21
39074501	13	57
39074601	5	
9		
39074801	10	3
39075301	2	20
39076101	8	48
39077504	9	
30		
39077504	19	35
39078408	22	26
39078708	10	26

Part Index

BAJAJ
CT 100

Part No.	Figure No.	Page No.
39078912	11	37
39078912	16	42
39079415	4	32
39079415	4	34
39079708	6	36
39079815	15	30
39079815	6	32
39079815	6	34
39079815	9	52
39080708	9	36
39080808	1	
36		
39081302	18	57
39081715	7	27
39081715	12	57
39081715	1	60
39084001	26	31
39084101	28	31
39090012	25	31
39097315	13	2
39097804	2	34
39098004	10	15
39098115	8	30
39098517	5	4
39098608	3	18
39098717	4	6
39098815	8	32
39098815	8	34
39099008	20	31
39099206	6	8
39099311	9	16

Part No.	Figure No.	Page No.
39099511	13	16
39099906	11	3
39099906	6	10
39099906	8	13
39099906	3	14
39099906	4	20
39100006	12	1
39100006	1	4
39100320	5	21
39100820	6	11
39101321	5	20
39101321	18	31
39101721	14	1
39101821	14	7
39101921	2	13
39102121	5	1
39102304	3	12
39102821	6	21
39104011	24	26
39104119	5	14
39104219	4	21
39104319	4	11
39105006	2	11
39105315	11	15
39105515	1	5
39105604	4	10
39106204	4	12
39106204	15	17
39106604	3	11
39107404	7	13

BAJAJ
CT 100

Part No.	Figure No.	Page No.
39107404	3	38
39107504	11	11
39107504	10	14
39107801	1	20
39108019	5	11
39118415	9	38
39121111	3	63
39122515	1	10
39122515	10	24
39122515	8	58
39128321	3	17
39129004	4	63
39155304	10	21
39155304	7	51
39156121	27	31
39161211	18	1
39165911	7	21
39167304	3	1
39168004	9	18
39168304	11	54
39169901	8	5
39178301	3	59
39178924	11	18
39178924	3	51
39179021	14	3
39181304	17	42
39186420	19	5
39186420	5	10
39194004	3	26
39194004	1	61

Part No.	Figure No.	Page No.
39194304	10	52
39196104	11	57
39198104	15	7
39199404	2	
9		
39204021	2	3
39213421	8	14
39214124	7	56
39214704	10	13
39219908	14	5
39220011	12	5
39222204	8	22
39222204	1	27
39224020	5	32
39224020	5	34
39240320	12	15
39240701	10	18
39244704	19	33
39245504	17	23
39246904	10	22
39247304	1	22
39247304	6	50
39247304	14	57
39247304	4	59
39247304	11	61
39247404	8	9
39247504	5	50
39247504	8	59
39247915	11	23
39247915	12	54
39248104	14	26

Part Index

BAJAJ
CT 100

Part No.	Figure No.	Page No.
39248304	7	59
39248415	11	59
39256611	21	33
39258501	17	57
39258701	6	56
39260011	3	15
39268020	1	30
39268120	5	30
39268720	7A	32
39270004	16	23
39270204	3	10
39270204	9	22
39270411	12	9
59040025	1	16
59110004	19	1
59200034	11	10
36DD4001	4	4
36DF1444	2	43
36DF1445	2	43
36DF1446	2	43
36DF1701	5	24
36DM0001	1	32
36DU1001	1	1
36DU1004	3	9
36DU1007	6	16
36DU1201	6	18
36DU1202	7	17
36DU1203	8	17
36DU1204	5	17
36DU1205	6	17

Part No.	Figure No.	Page No.
36DU1206	4	17
36DU1505	1	32
36DU1505	1	34
36DU1506	7	34
36DU1901	16	39
36DU2201	1	64
36DU4003	1	34
36DU4004	2	50
36DU4011	2	45
36DU4012	2	45
36DU4013	2	45
36DU4014	2	45
36DU4015	2	45
36DU4017	1	34
36DU4026	18	5
36DZ0020	26	42
36DZ0021	4	30
36DZ0022	12	53
52DF0020	15	24
52DF0021	12	24
52DM0086	9	13
52DU0104	6	9
52DU0289	5	44
52DU0289	7	47
52DU0289	7	47
52DU0289	7	47
52DU0290	7	47
52DU0291	7	47
52DU0302	19	26
52DU0303	20	26

Part Index

BAJAJ
CT 100

Part No.	Figure No.	Page No.
CL201023	2	56
DD101007	2	4
DD101014	4	4
DD101062	9	3
DD101101	13	11
DD101106	7	9
DD101134	10	2
DD101135	11	2
DD101219	14	11
DD101254	3	16
DD101264	2	16
DD101309	1	6
DD101318	15	21
DD101319	20	5
DD101325	7	14
DD101336	6	9
DD101343	13	1
DD101347	6	1
DD101349	8	1
DD101350	7	1
DD101366	6	19
DD101407	7	3
DD101440	7	2
DD101475	16	7
DD101480	6	15
DD101481	15	1
DD101492	5	15
DD101493	8	15
DD101495	9	9
DD111011	17	21

Part No.	Figure No.	Page No.
DD111012	18	21
DD111018	12	21
DD111048	2	21
DD121168	20	17
DD121171	11	17
DD141016	6	48
DD141227	9	48
DD151008	10	30
DD151009	7	30
DD151015	18	33
DD161022	9	51
DD161051	3	27
DD161053	14	23
DD161078	16	37
DD161369	5	44
DD161381	21	26
DD161437	10	27
DD181029	6	41
DD181031	2	41
DD181032	18	42
DD181034	3	41
DD181090	25	42
DD181091	24	42
DD181176	2	59
DD181183	9	56
DD181184	10	56
DD181185	15	57
DD181186	16	57
DD181187	2	59
DD181192	7	58

Part Index

BAJAJ
CT 100

Part No.	Figure No.	Page No.
DD181205	12	41
DD181207	15	42
DD181252	21	57
DD191125	11	53
DD191140	27	40
DD191141	11	38
DD191142	12	39
DD191143	26	40
DD191144	15	39
DD191148	28	40
DD201002	10	59
DD201009	10	54
DD201010	9	54
DD201011	7	60
DD201017	2	54
DD201024	10	61
DD201034	4	60
DD201045	18	55
DD201046	17	55
DD201047	8	54
DD201048	15	55
DD201155	5	38
DD201168	11	49
DD201170	13	39
DD221007	2	64
DD221008	3	64
DD7301Y7	5	44
DE181031	7	41
DF101055	2	2
DF101071	2	14

Part No.	Figure No.	Page No.
DF111015	1	21
DF111017	8	21
DF111020	3	21
DF111033	13	21
DF121003	3	20
DF121023	1	18
DF121025	2	18
DF151003	2	30
DF151005	2	29
DF151006	3	29
DF151016	15	37
DF151023	28	33
DF151023	28	35
DF161102	4	26
DF161168	15	23
DF161413	1	26
DF161414	15	26
DF161415	3	50
DF161416	4	50
DF161425	2	26
DF181043	2	48
DF181052	4	22
DF181085	11	41
DF181090	3	22
DF181091	19	39
DF181092	20	39
DF181098	20	57
DF181117	2	38
DF191026	10	38
DF191027	14	39

Part Index

BAJAJ
CT 100

Part No.	Figure No.	Page No.
DF191066	12	39
DF201053	4	38
DF201053	11	38
DF201129	7	61
DF221007	3	64
DF221037	2	64
DF221045	1	62
DG101498	9	10
DG121002	15	18
DG141019	1	51
DG151022	9	28
DG161121	4	51
DG161124	11	26
DH101066	13	5
DH101067	15	5
DH101195	9	5
DH101430	6	4
DH101607	8	19
DH121101	13	17
DH121102	14	17
DH121103	7	18
DH161178	17	26
DH161194	16	26
DH171019	22	33
DH171019	22	35
DH191037	2	52
DH191037	14	54
DJ151018	23	33
DJ161068	2	27
DJ201046	4	54

Part No.	Figure No.	Page No.
DJ201051	5	54
DL161048	6	26
DL181010	5	56
DL181080	1	41
DL191012	6	38
DL191013	7	38
DL191014	8	38
DM101098	4	8
DM101099	8	8
DM101114	12	7
DM101139	6	13
DM101140	9	14
DM121010	12	18
DM121014	14	18
DM151005	28	35
DM151008	4	29
DM151009	23	35
DM151024	10	29
DM151027	14	28
DM151027	11	29
DM151028	7	28
DM151029	4	28
DM151029	6	29
DM151032	20	33
DM161009	5	27
DM171025	4	24
DM181029	22	42
DM181030	23	42
DM181036	6	41
DM181038	14	41

Part Index

BAJAJ
CT 100

Part No.	Figure No.	Page No.
DM181039	13	41
DM191002	11	53
DM191005	10	53
DM191009	1	52
DM191011	1	53
DM191014	15	39
DM191015	26	40
DM191016	5	36
DM191017	6	53
DM221001	8	18
DP101155	13	7
DP101168	14	7
DP101340	7	8
DP101452	8	10
DP151027	10	32
DP151028	2	32
DP161100	9	59
DP161101	6	59
DP161144	1	59
DP161145	5	59
DP211009	2	63
DS151009	10	28
DS151010	11	28
DS151046	8	28
DS151047	13	28
DS151047	10	29
DS151048	5	28
DS151048	7	29
DS151049	6	28
DS151049	8	29

Part No.	Figure No.	Page No.
DS151052	9	29
DS151053	12	28
DU101001	14	10
DU101005	3	5
DU101010	11	5
DU101011	6	6
DU101036	5	6
DU101037	8	6
DU101038	12	16
DU101041	7	5
DU101045	15	16
DU101050	4	16
DU101053	3	6
DU101056	4	3
DU101057	2	17
DU101058	17	1
DU101060	3	2
DU101065	1	2
DU101066	12	3
DU101067	13	3
DU101069	9	1
DU101073	1	9
DU101074	4	9
DU101075	12	10
DU101080	7	6
DU101081	3	8
DU101083	9	8
DU101085	13	10
DU101092	13	9
DU101097	2	6

Part Index

BAJAJ
CT 100

Part No.	Figure No.	Page No.
DU101103	10	5
DU101109	4	15
DU101115	1	15
DU101180	7	19
DU101182	5	19
DU101185	9	9
DU101190	3	2
DU101191	1	2
DU101196	5	19
DU101206	4	19
DU101208	9	1
DU101210	1	14
DU101212	12	7
DU101213	11	7
DU101214	10	6
DU101216	13	11
DU101218	3	4
DU101220	14	10
DU101223	10	10
DU101225	3	3
DU101228	11	1
DU101228	9	17
DU121001	1	18
DU121004	2	18
DU121005	1	12
DU121008	4	18
DU121009	1	17
DU121010	1	12
DU121013	19	17
DU121015	21	17

Part No.	Figure No.	Page No.
DU121017	12	17
DU121018	18	17
DU121021	17	17
DU121022	16	17
DU121028	10	17
DU141025	12	49
DU141027	8	51
DU141041	1	48
DU141061	3	48
DU141228	4	48
DU151005	6	30
DU151009	11	34
DU151018	5	29
DU151025	2	28
DU151025	2	29
DU151026	3	28
DU151026	3	29
DU151027	23	35
DU151031	8	30
DU161008	4	27
DU161032	9	26
DU161067	7	22
DU161077	12	26
DU161078	13	26
DU161093	13A	23
DU161094	13B	23
DU161098	8	27
DU161099	9	27
DU161125	7	22
DU161146	12	26

Part Index

BAJAJ
CT 100

Part No.	Figure No.	Page No.
DU161147	13	26
DU171008	4	24
DU171017	11	24
DU181021	1	38
DU181023	11	52
DU181028	2	48
DU181029	4	56
DU181031	19	57
DU181032	2	48
DU181032	6	51
DU181047	15	57
DU181048	20	42
DU181050	20	42
DU181067	20	42
DU181070	4	56
DU191001	1	52
DU191003	14	39
DU191005	10	53
DU191006	6	53
DU191007	5	36
DU191008	1	53
DU191009	10	38
DU191013	7	53
DU191014	1	52
DU191016	7	52
DU191019	5	52
DU191020	6	52
DU191021	3	52
DU191022	7	52
DU191023	4	52

Part No.	Figure No.	Page No.
DU191024	8	52
DU191025	5	52
DU191026	6	52
DU191027	3	52
DU191028	3	52
DU191029	3	52
DU191030	3	36
DU191031	27	40
DU191033	5	38
DU191033	28	40
DU191035	7	38
DU201007	5	61
DU201016	6	58
DU201018	4	38
DU201023	2	60
DU201026	1	54
DU201028	16	55
DU201028	19	55
DU201029	6	54
DU201042	9	58
DU201043	10	58
DU201046	17	39
DU201047	22	57
DU201050	2	58
DU201050	3	58
DU201052	1	58
DU201052	4	58
DU201057	3	54
DU201060	7	54
DU201061	5	61

Part Index

BAJAJ
CT 100

Part No.	Figure No.	Page No.
DU201062	11	21
DU201064	1	54
DU201066	3	60
DU201070	11	49
DU201070	14	49
DU201083	22	57
DU201084	23	57
DU201088	23	57
DU201099	5	61
DU201101	1	56
DU201102	1	54
DU211001	1	63
DU221001	12	23
DU221002	1	64
DU221003	1	64
DU221004	12	23
DU710122	1	43
DU71013H	1	45
DU71013J	1	45
DU71013L	1	45
DU7101X4	1	43
DU7101Y7	1	43
DU7105X4	1	45
DU7105Y7	1	45
DU73013H	3	46
DU73013J	3	46
DU73013L	3	43
DU73013L	3	46
DU73023H	4	46
DU73023J	4	46

Part No.	Figure No.	Page No.
DU73023L	4	46
DU73033H	5	46
DU73033J	5	46
DU73033L	4	44
DU73033L	5	46
DU7303X4	4	44
DU7303Y7	4	44
DU7305Y7	3	43
DU730622	3	44
DU7306X4	3	44
DU7306Y7	3	44
DU7308X4	3	43
DU7308X4	3	46
DU7308Y7	3	46
DU7309X4	4	46
DU7309Y7	4	46
DU7310X4	5	46
DU7310Y7	5	46
DU74013H	6	47
DU74013J	6	47
DU74013L	6	47
DU7402X4	6	47
DU7402Y7	6	47
DX101035	14	15
DX101045	2	6
DX101046	10	6
DX101047	5	5
DX101048	3	6
DX101049	5	6
DX101050	9	6

Part No.	Figure No.	Page No.	Part No.	Figure No.	Page No.
DX101051	8	6			
DX101052	12	7			
DX101053	10	5			
DX101054	1	15			
DX101075	5	3			
DX111005	1A	21			
DX151081	29	33			
DX151081	29	35			
DX161056	15	26			
DZ141075	15	49			
DZ151012	11	30			
DZ151027	13	30			
DZ191014	7	53			
DZ191019	9	53			
DZ201025	1	58			
DZ201025	4	58			
DZ201026	2	58			
DZ201026	3	58			
FA101334	6	5			
FD181012	8	41			
FD181019	21	39			
FD181020	22	39			
FD181030	2	38			
FD181031	18	39			
FD201033	6	58			
JA131606	23	31			
JW401600	2	61			
LAD00026	8	3			